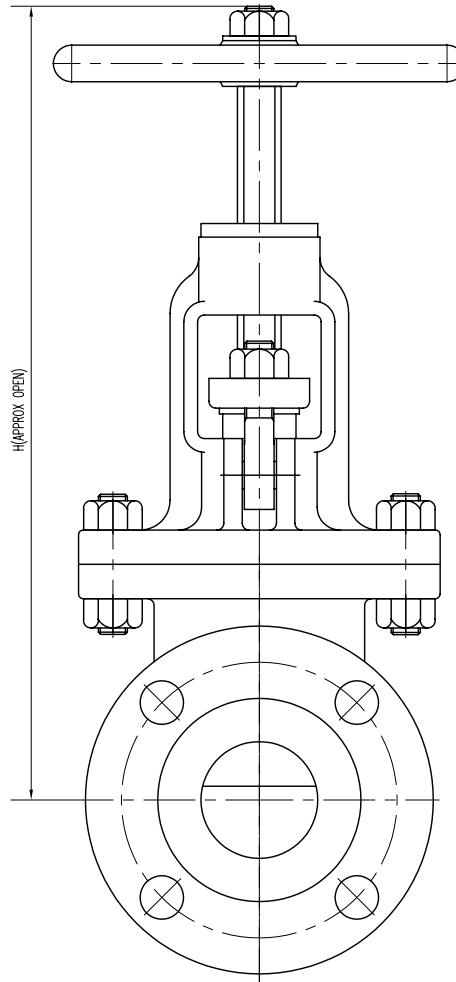
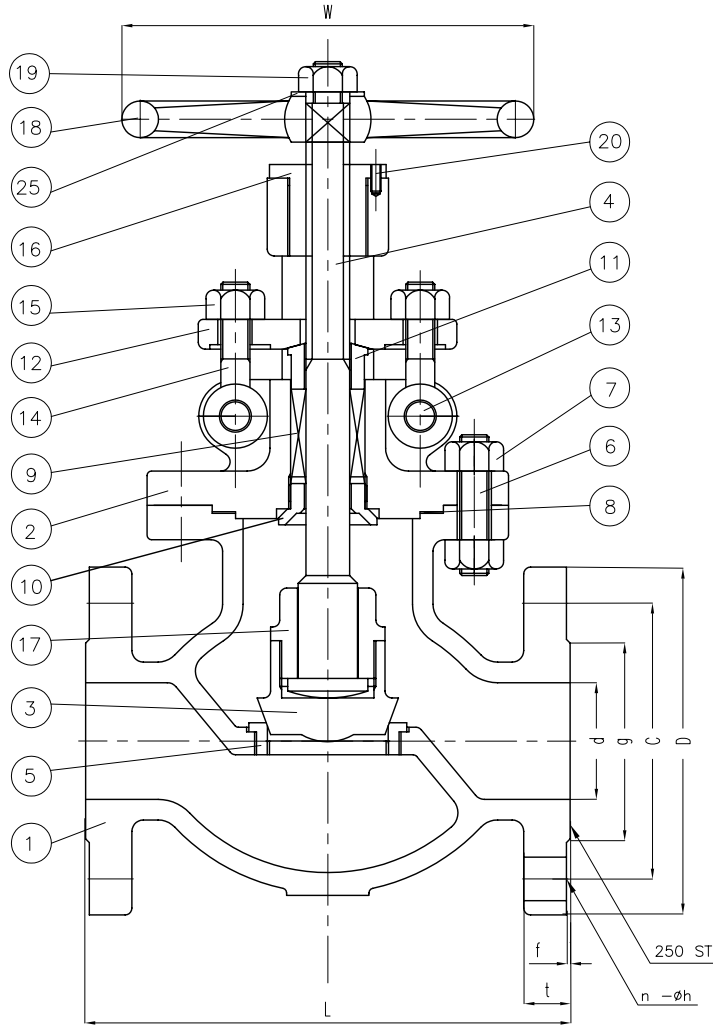


Wm. E. Williams No. 152F2, 152F4, 152F4-AB Class 150 RF WCB Globe Valve ASTM A 216



BILL OF MATERIALS					
NO.	PART NAME	152F2	152F4	152F4-AB	Q'TY
		API TRIM 8 (410/HF)	BRONZE TRIM	AL. BRZ TRIM	
1	BODY	A216Gr WCB	A216Gr WCB	A216Gr WCB	1
2	BONNET	A216Gr WCB	A216Gr WCB	A216Gr WCB	1
3	DISC	A216Gr WCB W/13Cr FACED	WCB W/BRONZE FACE	WCB W/B148 FACED	1
4	STEM	A479Gr 410	ASTM B124	B148 C95500-ALUM. BRZ	1
5	SEAT RING	A105 H/F CO-Gr A	A105 With BC Welding	A105 W/B148 C95500 FACE	1
6	BONNET BOLT	A193Gr B7	A193Gr B7	A193Gr B7	1SET
7	BONNET NUT	A194Gr 2H	A194Gr 2H	A194Gr 2H	1SET
8	GASKET	P#1400G	P#1400G	P#1400G	1
9	PACKING	P#6610+P#6528	P#6610+P#6528	P#6610+P#6528	1SET
10	BACK SEAT	A479Gr 410	A479Gr 410	A479Gr 410	1
11	GLAND RING	A479Gr 410	A479Gr 410	A479Gr 410	1
12	GLAND FLANGE	A105 or WCB	A105 or WCB	A105 or WCB	1
13	HINGE PIN	A105 or 410	A105 or 410	A105 or 410	2
14	GLAND BOLT	A307Gr B	A307Gr B	A307Gr B	2
15	GLAND NUT	A307Gr B	A307Gr B	A307Gr B	2
16	BONNET BUSH	A439Gr D2C	A439Gr D2C	A439Gr D2C	1
17	DISC NUT	A217Gr CA15	A217Gr CA15	A217Gr CA15	1
18	HAND WHEEL	A197	A197	A197	1
19	HANDLE NUT	A307Gr B	A307Gr B	A307Gr B	1
24	SET SCREW	STEEL	STEEL	STEEL	1
25	WASHER	STEEL	STEEL	STEEL	1

UNIT: INCH

SIZE	d	L	D	C	g	t	f	n-h	H	W
2.00	2.00	8.00	6.00	4.75	3.63	0.625	0.060	4-0.75	12.44	7.00
2.50	2.50	8.50	7.00	5.50	4.13	0.689	0.060	4-0.75	13.00	7.87
3.00	3.00	9.50	7.50	6.00	5.00	0.750	0.060	4-0.75	14.40	8.82
4.00	4.00	11.50	9.00	7.50	6.87	0.937	0.060	8-0.75	16.30	9.87
5.00	5.00	14.00	10.00	8.50	7.32	0.937	0.060	8-0.87	18.50	9.87
6.00	6.00	16.00	11.00	9.50	8.50	1.000	0.060	8-0.87	19.75	12.37
8.00	8.00	19.50	13.50	11.75	10.62	1.125	0.060	8-0.87	23.25	13.97
10.00	10.00	24.50	16.00	14.25	12.75	1.187	0.060	8-1.00	30.50	15.75
12.00	12.00	27.50	19.00	17.00	15.00	1.250	0.060	8-1.00	32.50	17.75

MARKING SYSTEM	MSS-SP-25	INSPECTION & TEST: API 598		
DIM. OF FLANGE	ANSI B16.5	SHELL	HYDRO	450PSI
FACE TO FACE	ANSI B16.10	SEAT	AIR	80PSI
WALL THICKNESS	API 600	BACK SEAT	HYDRO	315PSI
DESIGNED	API 600, ANSI B16.34			

NO.	DATE	DESCRIPTION	PRP'D	REV'D	APP'D
	10/06	AB TRIM			
TITLE CAST STEEL GLOBE VALVE CLASS 150 B,B R,F					
SCALE	Fig #	DRAWING NO.			REV.
NONE	SEE ABOVE	38GL060313			00