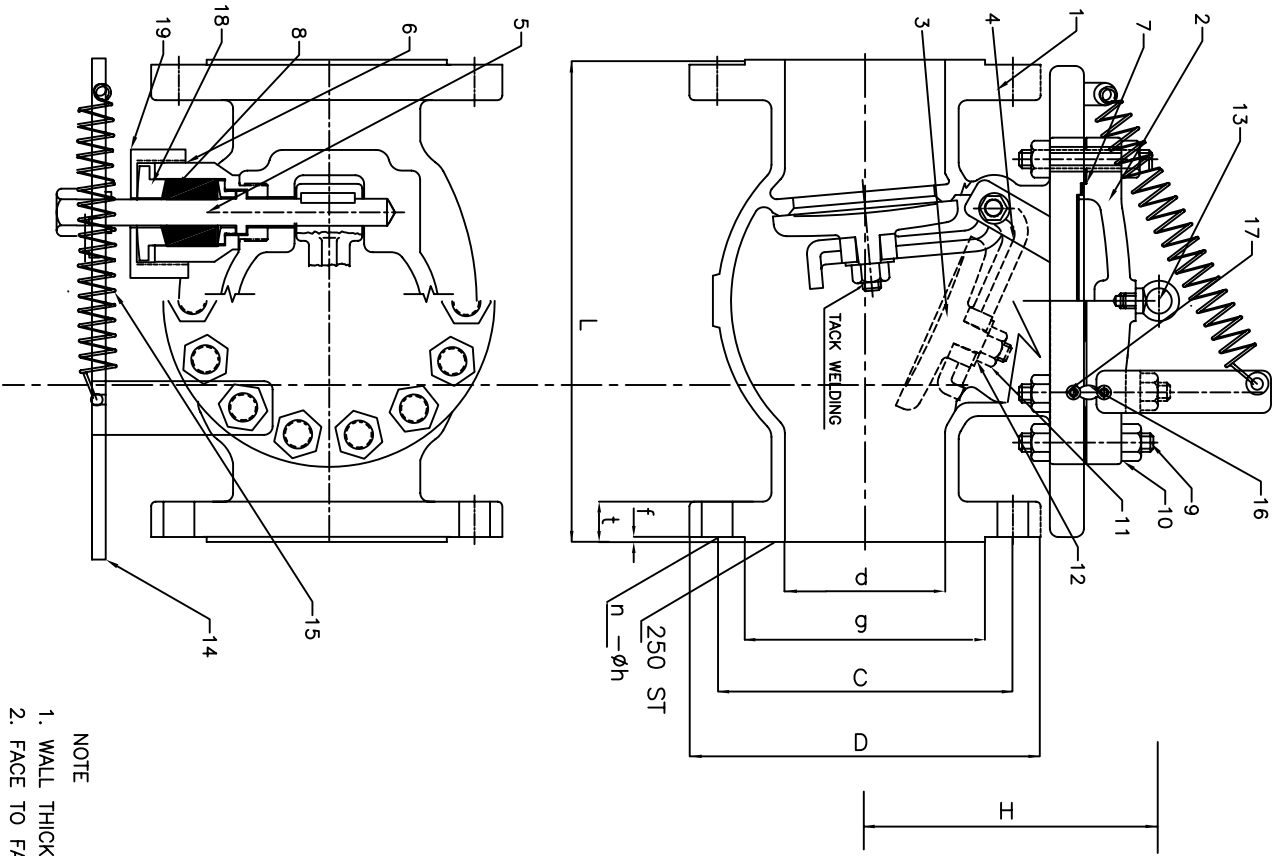


PSL-2 EMERGENCY SHUT OFF VALVE WITH SPRING



- NOTE
1. WALL THICKNESS : ANSI B16.34
 2. FACE TO FACE DIMENSIONS : ANSI B16.10
 3. END FLANGE DIMENSIONS : ANSI B16.5
 4. FUSIBLE LINK ARE UL LISTED,FM APPROVED

NO.	PART NAME	MATERIAL	Q'TY	REMARK
1	BODY	A216 WCB	1	
2	COVER	A216 WCB	1	
3	DISC	MCB W/CR13 FACE	1	
4	ARM	A216 WCB	1	
5	PIN	A276-316	1	
6	BOSS	N105	1	
7	GASKET	GRAPHITE	1	
8	PACKING	GRAPHITE	1	
9	COVER BOLT	A193-B7	1SET	
10	NUT	A194-2H	1SET	
11	DISC NUT	A194-8M	1	
12	WASHER	A240-316	1	
13	EYE BOLT	FORGED STEEL	1	8" & LARGER
14	LEVER	A194-2H	1	
15	SPRING	MUSIC WIRE	1	
16	FUSIBLE LINK		2	
17	PIN	SS 18-8	2	
18	PACKING GLAND	410	1	
19	PACKING NUT	A105	1	

UNIT:INCH	SIZE	d	L	D	C	g	t	f	n-h	H
	2.00	8.00	6.00	4.75	3.625	0.63	0.060	4-0.75	6.00	
	2.50	8.50	7.00	5.50	4.125	0.69	0.060	4-0.75	6.00	
	3.00	9.50	7.50	6.00	5.000	0.75	0.060	4-0.75	6.25	
	4.00	11.50	9.00	7.50	6.187	0.94	0.060	8-0.75	7.75	
	5.00	13.00	10.00	8.50	7.320	0.94	0.060	8-0.87	7.75	
	6.00	14.00	11.00	9.50	8.500	1.00	0.060	8-0.87	9.50	
	8.00	19.50	13.50	11.75	10.62	1.13	0.060	8-0.87	11.50	
	10.00	24.50	16.00	14.25	12.75	1.19	0.060	12-1.00	13.50	
	12.00	27.50	19.00	17.00	15.00	1.25	0.060	12-1.00	15.00	
	14.00	31.00	21.00	18.75	16.25	1.38	0.060	12-1.12	15.75	
	16.00	34.00	23.50	21.25	18.50	1.44	0.060	16-1.12	17.25	
	18.00	38.50	25.00	22.75	21.00	1.57	0.060	16-1.25	19.80	
	20.00	38.50	27.50	25.00	23.00	1.69	0.060	20-1.12	21.30	
	24.00	51.00	32.00	29.50	27.25	1.88	0.060	20-1.37	26.58	

WILLIAMS
VALVE CORPORATION

38-52 REVIEW AVENUE
LONG ISLAND CITY, NY 11101

TEL: 718-392-1660
FAX: 718-729-5106

WILLIAMS

TITLE: CAST STEEL EMERGENCY SHUT-OFF CHECK VALVE - CLASS 150

MATERIAL: ASTM A216 Gr. WCB

CLASS: 150

DATE: 01/24/08

SCALE: N.T.S.

SIZE: 2" - 24"

FIG. NO.: PSL-2

DRAWN BY: ML

CHK'D & APR'D BY: RP

REV: 00

DWG No.: 60ESOV0801

WWW.WILLIAMSVALVE.COM