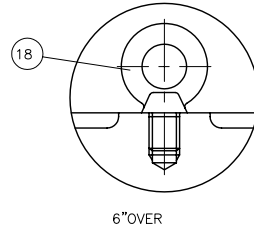
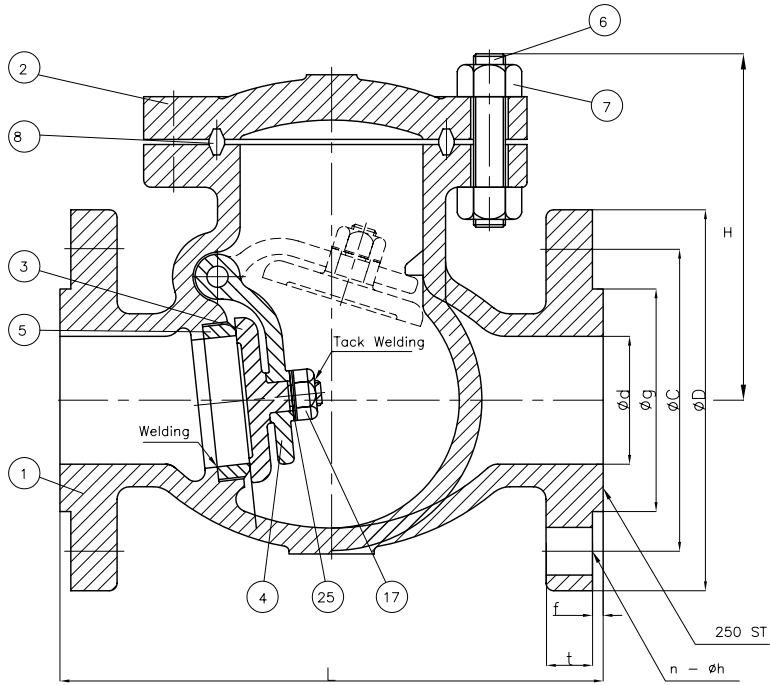
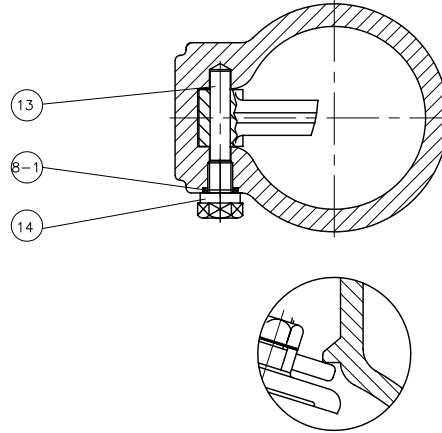


Wm. E. Williams No. 901F2 Class 900 RF Swing Check Valve ASTM A 216 WCB (API Trim 8)



6"OVER



DETAIL A" (6"OVER)

BILL OF MATERIALS			
NO.	PART NAME	MATERIALS	Q'TY
1	BODY	A216Gr WCB	1
2	COVER	A216Gr WCB	1
3	DISC	6" & BELOW 8" & OVER	1
		A217Gr CA15 A216Gr WCB With 13Cr Overlay	
4	ARM	A216Gr WCB	1
5	SEAT RING	A105 With STELLITE Overlay	1
6	COVER BOLT	A193Gr B7	1SET
7	COVER NUT	A194Gr 2H	1SET
8	GASKET	P#1500 [Ring type]	1
8-1	PIN GASKET	P#1300	1
13	HINGE PIN	A479Gr 410	1
14	HINGE BOLT	A307Gr B	1
17	DISC NUT	A194Gr 8	1
18	EYE BOLT	A307Gr B	1
25	WASHER	STEEL	1

SIZE	d	L	D	C	g	t	f	n-h	H
2.00	1.88	14.50	8.50	3.62	6.50	1.50	0.250	8-1.00	10.44
3.00	2.88	15.00	9.50	5.00	7.50	1.50	0.250	8-1.00	11.65
4.00	3.88	18.00	11.50	6.18	9.25	1.75	0.250	8-1.25	11.77
6.00	5.75	24.00	15.00	8.50	12.50	2.19	0.250	12-1.25	13.54
8.00	7.50	29.00	18.00	10.63	15.50	2.50	0.250	12-1.50	18.38

** Large Size Available.

△					
△		Rechecked Dim			
△		ISSUED FOR PROPOSAL			
NO.	DATE	DESCRIPTION	PRP'D	REV'D	APP'D

MARKING SYSTEM	MSS-SP-25	INSPECTION & TEST: API 598		
DIM.OF FLANGE	ANSI B16.5	SHELL	HYDRO	5515PSI
FACE TO FACE	ANSI B16.10	SEAT	HYDRO	4100PSI
WALL THICKNESS	API 600	BACK SEAT	HYDRO	
OVERALL	API 600, ANSI B16.34			

TITLE		BC SWING TYPE		
		SWING CHECK VALVE 900P		
SCALE	Fig #	DRAWING NO.	REV.	DATE
NONE	901F2	60SC060147	10-04-01	01