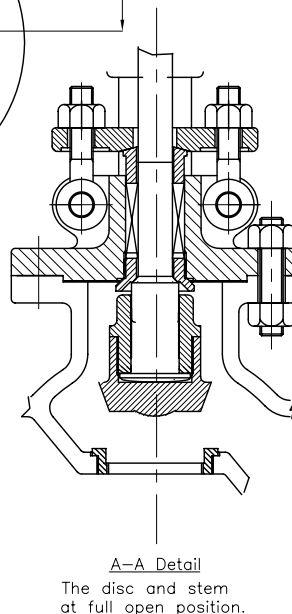
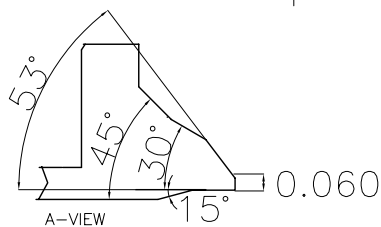
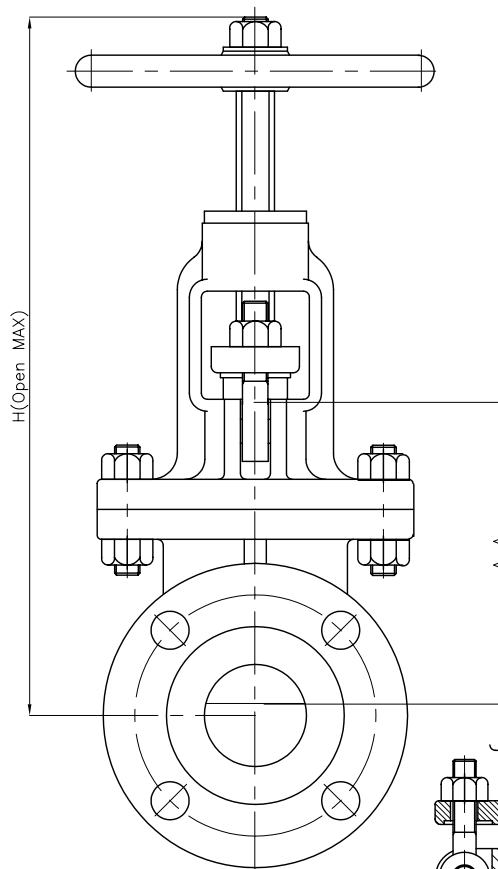
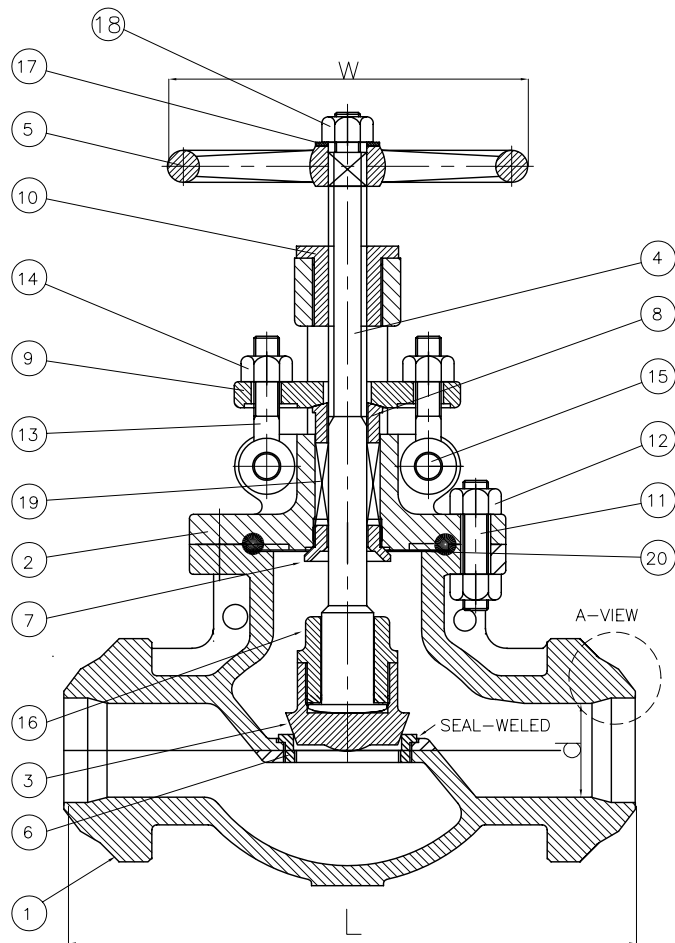


Wm. E. Williams No. 602W-2 Class 600 BW Globe Valve ASTM A 216 WCB (API Trim 8)



20	GASKET	Metal	Ring joint-steel
19	PACKING	Graphited	P#6610+P#6528
18	HANDLE NUT	Stainless Steel	A194Gr 8
17	WASHER	Steel	
16	DISC NUT	Stainless Steel	A217Gr CA15
15	GLAND BOLT PIN	Carbon Steel	A105
14	GLAND NUT	Carbon Steel	A307Gr B
13	GLAND BOLT	Carbon Steel	A307Gr B
12	BONNET NUT	Carbon Steel	A194Gr 2H
11	BONNET BOLT	Carbon Steel	A193Gr B7
10	YOKE BUSH	Ductile Iron	A439Gr D2C
9	GLAND FLANGE	Carbon Steel	A105 or WCB
8	GLAND RING	Stainless Steel	A479Gr 410
7	BACK SEAT	Stainless Steel	A479Gr 410
6	SEAT RING	A105	STELLITE FACED
5	HAND WHEEL	Ductile Iron	A197
4	STEM	Stainless Steel	A479Gr 410
3	DISC	A217Gr CA15	410 (Cr13)
2	BONNET	Carbon Steel	A216Gr WCB
1	BODY	Carbon Steel	A216Gr WCB
NO.	PARTS	Material	Specification

NOTE:

- SPECIFY THE PIPE SCHEDULE No.REQUIRED.
- OTHER TRIMS AVAILABLE.

UNIT:INCH

SIZE	d	L	H	W
2.00	2.00	11.50	15.43	7.87
2.50	2.50	13.00	16.43	8.81
3.00	3.00	14.00	18.82	9.84
4.00	4.00	17.00	20.87	12.37
5.00	5.00	20.00	24.00	14.00
6.00	6.00	22.00	26.58	15.75
8.00	7.875	26.00	28.37	17.72
10.00	9.760	31.00	38.27	19.69
12.00	11.75	33.00	42.28	22.05

* Other sizes available upon request,

STANDARDS	Face to Face/End to End	ANSI B16.10			STYLE:	CLASS: 600
	BUTT WELD ENDS	ANSI 16.25			Fig# 602W-2	SIZE: 2"-12"
	Basic Design	ANSI B16.34			MAT'L: WCB	SCALE: NON SHEET: 1
	Testing	API 598	DATE	REVISION RECORD	DATE	DR. Liang

WILLIAM E.



WILLIAMS

VALVE CORPORATION
38-52 REVIEW AVE L.I.C N.Y 1110

TITLE: CAST STEEL GLOBE VALVE
B.B BUTTWELD END