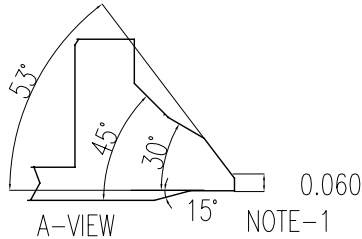
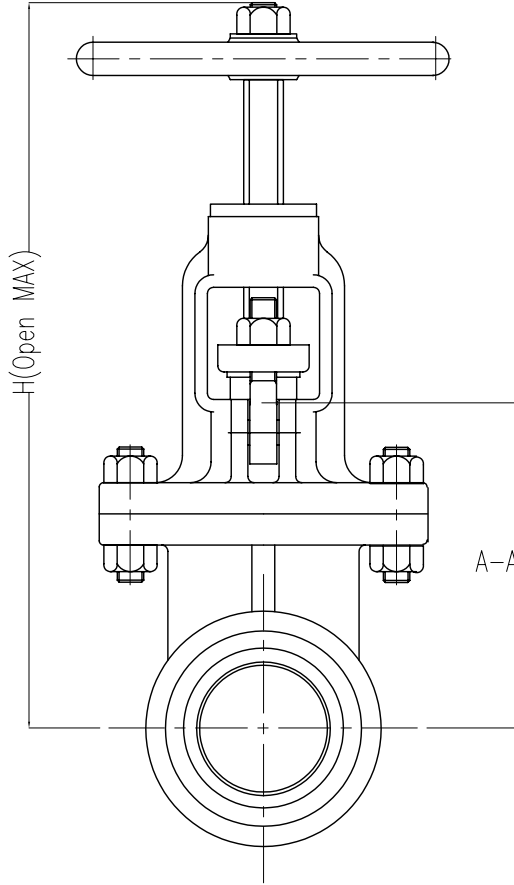
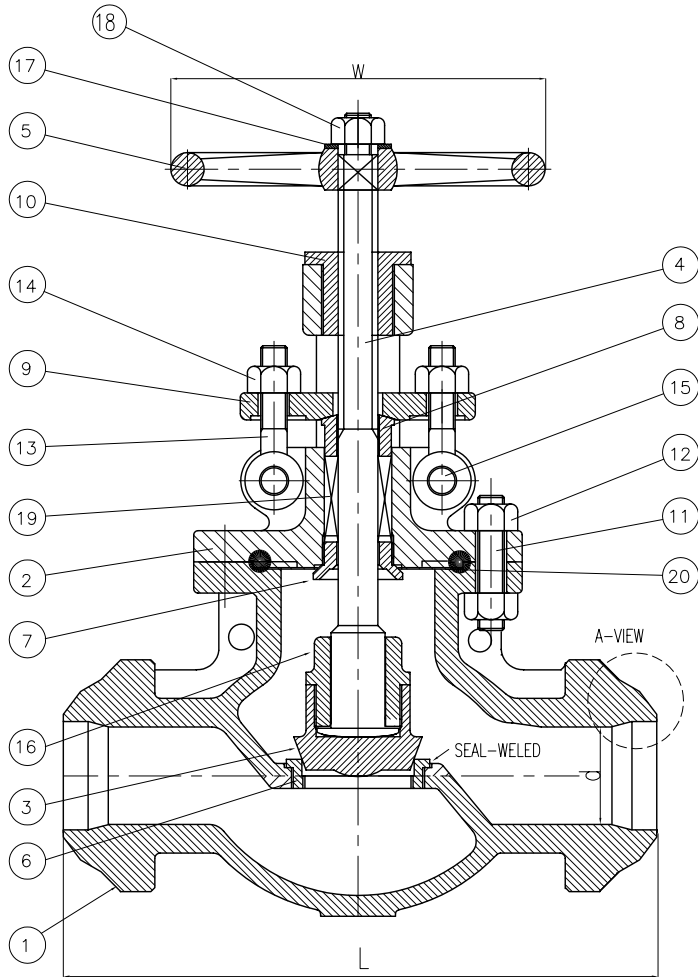


Wm. E. Williams No. 902W2 Class 900 BW Globe Valve ASTM A 216 WCB (API Trim 8)



20	GASKET	Metal	Ring joint-steel
19	PACKING	Graphited	P#6610+P#6528
18	HANDLE NUT	Stainless Steel	A194Gr 8
17	WASHER	Steel	
16	DISC NUT	Stainless Steel	A217Gr CA15
15	GLAND BOLT PIN	Carbon Steel	A105
14	GLAND NUT	Carbon Steel	A307Gr B
13	GLAND BOLT	Carbon Steel	A307Gr B
12	BONNET NUT	Carbon Steel	A194Gr 2H
11	BONNET BOLT	Carbon Steel	A193Gr B7
10	YOKE BUSH	Ductile Iron	A439Gr D2C
9	GLAND FLANGE	Carbon Steel	A105 or WCB
8	GLAND RING	Stainless Steel	A479Gr 410
7	BACK SEAT	Stainless Steel	A479Gr 410
6	SEAT RING	A105	STELLITE FACED
5	HAND WHEEL	Ductile Iron	A197
4	STEM	Stainless Steel	A479Gr 410
3	DISC	A217Gr CA15	410 (Cr13)
2	BONNET	Carbon Steel	A216Gr WCB
1	BODY	Carbon Steel	A216Gr WCB
NO.	PARTS	Material	Specification

NOTE:

1. SPECIFY THE PIPE SCHEDULE No.REQUIRED.
2. OTHER TRIMS AVAILABLE.

UNIT:INCH

SIZE	d	L	H
2.00	1.88	14.50	26.50
3.00	2.88	15.00	27.95
4.00	3.88	18.00	33.15
6.00	5.75	24.00	50.40
8.00	7.50	29.00	61.53

** Large Size Available.

△					
△	Rechecked Dim				
△	ISSUED FOR PROPOSAL				
NO.	DATE	DESCRIPTION	PRP'D	REV'D	APP'D



WALL THICKNESS	MSS-SP-25	INSPECTION & TEST: API 598		
MARKING SYSTEM	ANSI B16.5	SHELL	HYDRO	3350PSI
DIM.OF FLANGE	ANSI B16.10	SEAT	AIR	80PSI
FACE TO FACE	API 600	BACK SEAT	HYDRO	2450PSI
DESIGNED	ANSI B16.34			

TITLE				
CAST STEEL GLOBE VALVE				
CLASS 900 B,B BUTTWELD END				
SCALE	Fig #	DRAWING NO.	REV.	
NONE	902W2	60GLO60127	DATE	01