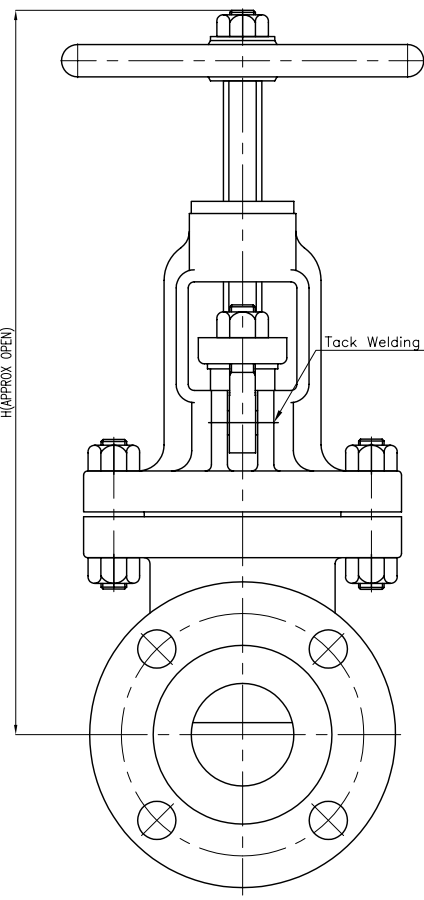
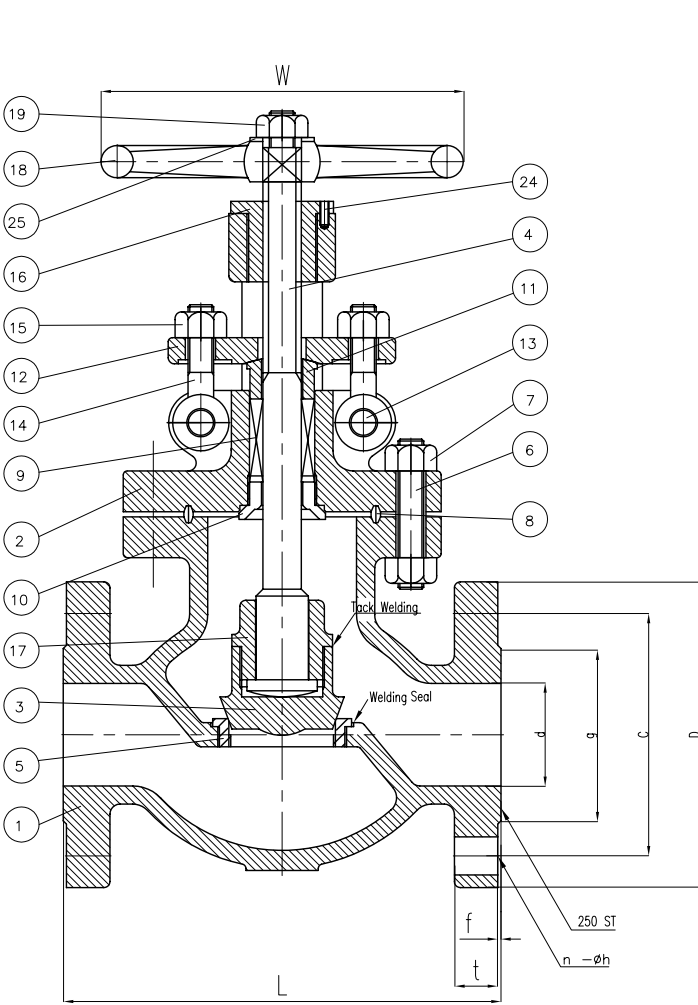


# Wm. E. Williams No. 902F2 Class 900 RF OS&Y Globe Valve ASTM A 216 WCB (API Trim 8)



BILL OF MATERIALS				
NO.	PART NAME	MATERIALS	Q'TY	
1	BODY	A216Gr WCB	1	
2	BONNET	A216Gr WCB	1	
3	DISC	6" & BELOW	A217Gr CA15	1
		8" & OVER	A216Gr WCB W/13Cr FACED	
4	STEM	A479Gr 410	1	
5	SEAT RING	A105 H,F W/CO-Cr A	1	
6	BONNET BOLT	A193Gr B7	1SET	
7	BONNET NUT	A194Gr 2H	1SET	
8	GASKET	P#1500	1	
9	PACKING	P#6610+P#6528	1SET	
10	BACK SEAT	A479Gr 410	1	
11	GLAND RING	A479Gr 410	1	
12	GLAND FLANGE	A105 or WCB	1	
13	HINGE PIN	A105 or 410	2	
14	GLAND BOLT	A307Gr B	2	
15	GLAND NUT	A307Gr B	2	
16	BONNET BUSH	A439Gr D2C	1	
17	DISC NUT	A217Gr CA15	1	
18	HAND WHEEL	A197	1	
19	HANDLE NUT	A307Gr B	1	
24	SET SCREW	STEEL	1	
25	WASHER	STEEL	1	

SIZE	d	L	D	C	g	t	f	n-h	H
2.00	1.88	14.50	8.50	3.62	6.50	1.50	0.250	8-1.00	26.50
3.00	2.88	15.00	9.50	5.00	7.50	1.50	0.250	8-1.00	27.95
4.00	3.88	18.00	11.50	6.18	9.25	1.75	0.250	8-1.25	33.15
6.00	5.75	24.00	15.00	8.50	12.50	2.19	0.250	12-1.25	50.40
8.00	7.50	29.00	18.00	10.63	15.50	2.50	0.250	12-1.50	61.53

\*\*Larger Sizes Available.

WALL THICKNESS	API 600	INSPECTION & TEST:	API 598
MARKING SYSTEM	MSS-SP-25	SHELL	HYDRO 3350PSI
DIM.OF FLANGE	ANSI B16.5	SEAT	AIR 80PSI
FACE TO FACE	ANSI B16.10	BACK SEAT	HYDRO 2450PSI
DESIGNED	ANSI B16.34		

△					
△	Rechecked Dim				
△	ISSUED FOR PROPOSAL				
NO.	DATE	DESCRIPTION	PRP'D	REV'D	APP'D



TITLE		CAST STEEL GLOBE VALVE CLASS 900 B.B R.F.		
SCALE	Fig #	DRAWING NO.	REV.	
NONE	902F2	60GL060126	DATE	10-04-01 01