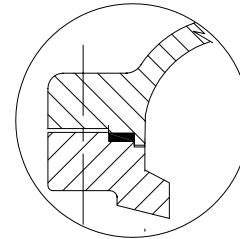
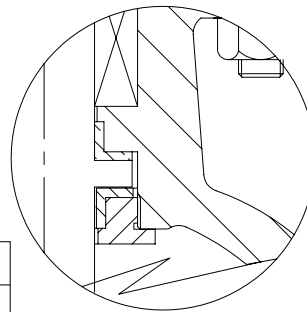
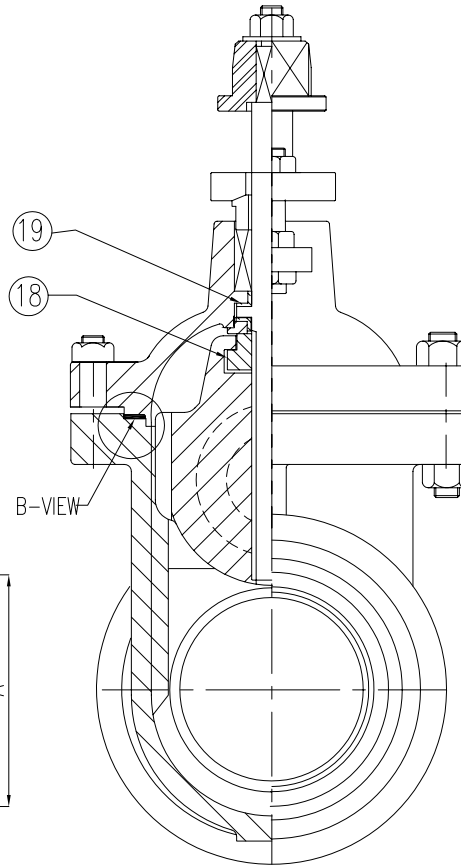
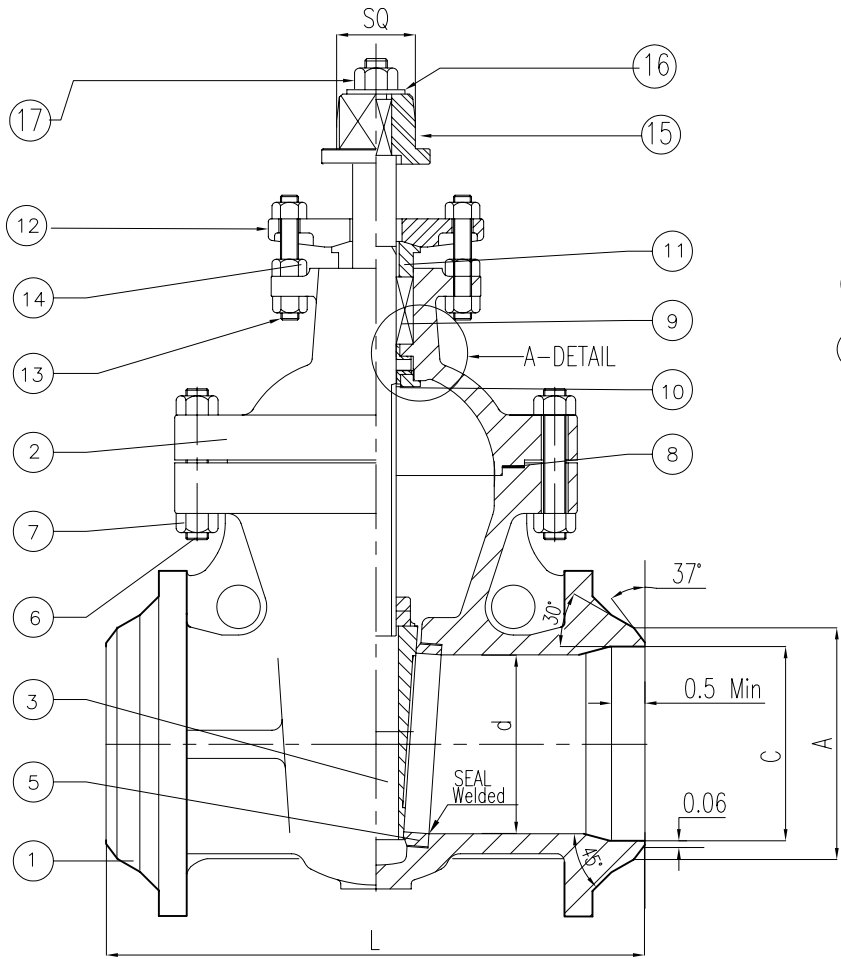


Wm. E. Williams No. N30W2 Class 300 NRS Gate Valve ASTM A 216 WCB (API Trim 8)



A-DETAIL

B-VIEW
CAPTURE GASKET

BILL OF MATERIALS

NO.	PART NAME	MATERIALS	Q'TY
1	BODY	A216 Gr WCB	1
2	BONNET	A216 Gr WCB	1
3	DISC	A216 Gr WCB W/Co-Cr A FACE	1
4	STEM	A479Gr 410	1
5	SEAT RING	A105 H/F CO-Cr A	2
6	BONNET BOLT	A193 Gr B7	1SET
7	BONNET NUT	A194 Gr 2H	1SET
8	GASKET	S.S 304 H00 W/GRAPHIE	1
9	PACKING	PTFE-CHEVRON RING	1SET
10	RETAINER	A479Gr 410	1
11	PACKING GLAND	B505 C95400 AL-BRONZE	1
12	GLAND FLANGE	A216 Gr WCB	1
13	GLAND STUD	A193 Gr B7	2
14	GLAND STUD NUT	A194 Gr 2H	1 SET
15	SQUARE NUT	A197	1
16	WASHER	S.S 316 (EXTRA THICK)	1
17	LOCKING NUT	A194 Gr 2H	1
18	STEM NUT	B505 C95400 AL-BRONZE	1
19	BUSHING	B505 C95400 AL-BRONZE	2

UNIT:INCH

SIZE	d	L	H	A	C
2.00	2.00	8.50	16.50	2.38	2.075
2.50	2.50	9.50	17.50	2.96	2.497
3.00	3.00	11.12	20.70	3.59	3.081
4.00	4.00	12.00	22.83	4.62	4.044
5.00	5.00	15.00	28.22	5.69	5.070
6.00	6.00	15.88	32.00	6.78	6.094
8.00	8.00	16.50	38.70	8.78	8.020
10.00	10.00	18.00	46.81	10.94	10.07
12.00	12.00	19.75	54.72	12.97	12.05
14.00	13.25	30.00	63.00	14.25	13.194
16.00	15.25	33.00	72.83	16.25	15.085
18.00	17.00	36.00	80.31	18.28	16.975
20.00	19.00	39.00	86.50	20.31	18.920
24.00	23.00	45.00	110.75	24.38	22.755

UNIT:INCH

SIZE	d	L	H	SQ	A	C
16.00	15.25	33.00	72.83	2.125	16.25	15.084
20.00	19.00	39.00	86.50	2.625	20.00	18.920

NO.	DATE	DESCRIPTION	PRP'D	REV'D	APP'D	MARKING SYSTEM	MSS-SP-25	INSPECTION & TEST: API 598
						BUTTWELDING END	ANSI B16.25	SHELL HYDRO 1125PSI
						FACE TO FACE	ANSI B16.10	SEAT AIR 80PSI
						WALL THICKNESS	API 600	BACK SEAT HYDRO 825PSI
						DESIGNED	API 600, ANSI B16.34	



TITLE CAST STEEL BUTTWELDING END CLASS 300 NRS. GATE VALVE				
SCALE	Fig #	DRAWING NO.	SCHEDULE	REV.
NONE	N30W-2	60GA060177	40	01