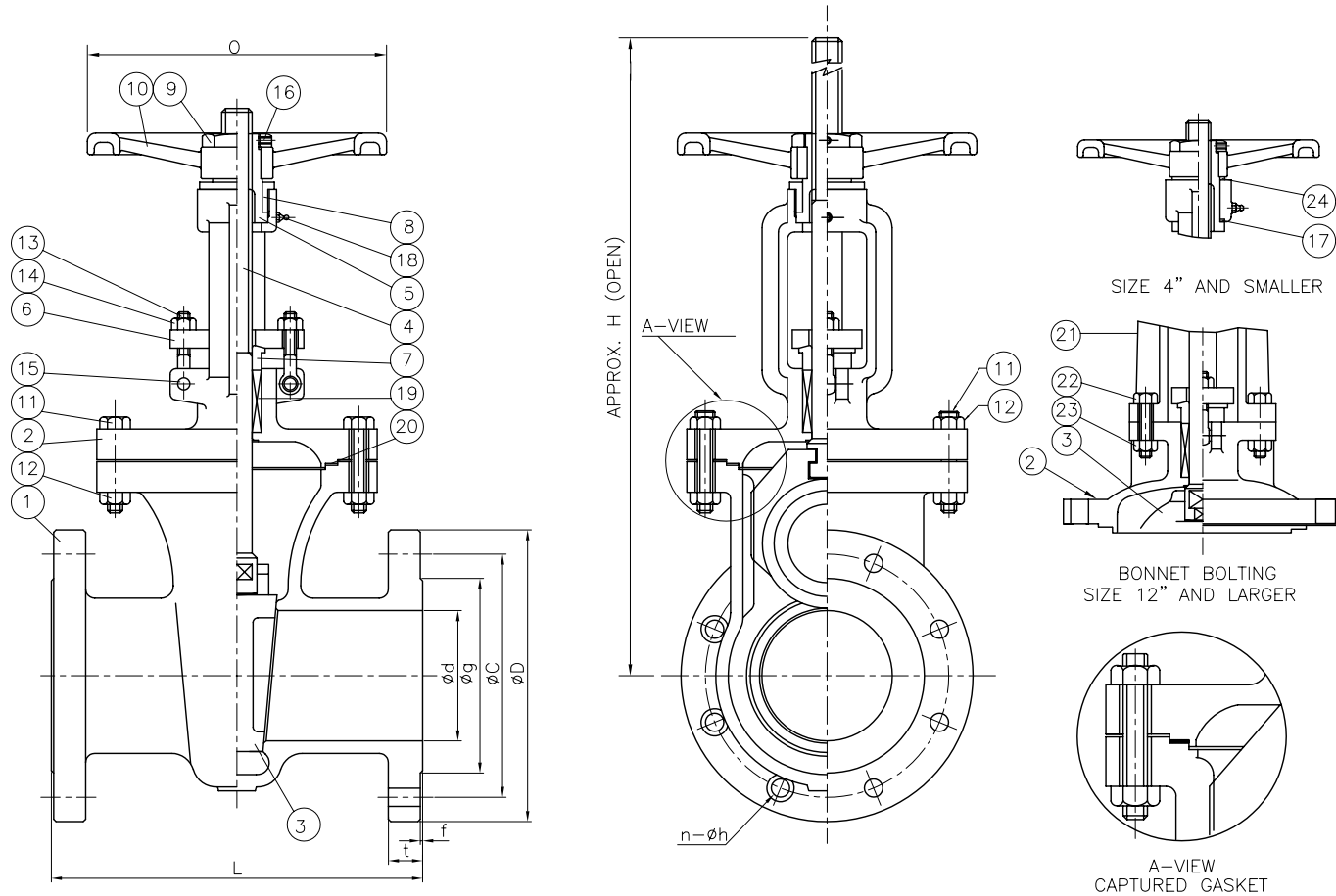


Wm. E. Williams No. S30F6-316 Class 300 OS&Y Gate Valve ASTM A 351 CF8M



NO.	PART NAME	MATERIAL	Q'TY	REMARK
1	BODY	A351-CF8M	1	
2	BONNET	A351-CF8M	1	
3	WEDGE	A351-CF8M	1	
4	STEM	A276-316	1	
5	YOKE SLEEVE	A439-D 2	1	
6	GLAND FLANGE	A351-CF8	1	
7	PACKING GLAND	A276-316	1	
8	YOKE CAP	A351-CF8	1	
9	HANDWHEEL NUT	A276-304	1	
10	HANDWHEEL	A536	1	
11	BONNET BOLT	A193-B8	1SET	
12	NUT	A194-8	1SET	
13	HINGED EYE BOLT	A276-304	2	
14	NUT	A194-8	2	
15	HINGE PIN	A276-304	2	
16	SET SCREW	A276-304	1	
17	WASHER	A240-304	1	
18	GREASE NIPPLE	STEEL	1	Cr. PLATED
19	PACKING	SEE NOTE 5	1SET	
20	GASKET	SEE NOTE 5	1	
21	YOKE	A351-CF8M	1	
22	BOLT/STUD	A193-B8	1 SET	
23	NUT	A194-8	1 SET	
24	THRUST WASHER	A240-304	1	
25	THRUST BEARING		2	NOTE 6

NOTE:

1. WALL THICKNESS : ANSI B16.34 CLASS 300
2. FACE TO FACE DIMENSIONS : ANSI B16.10 CLASS 300
3. END FLANGE DIMENSIONS : ANSI B16.5 CLASS 300
4. WEDGE DESIGN: 1/2"-1 1/2" -SOLID, 2.0" AND LARGER-FLEXIBLE.
5. GRAPHITE OR PTFE :(SPECIFY WHEN ORDER)
6. THRUST BALL BEARINGS:12" ABOVE

UNIT:INCH

SIZE	L	d	D	C	g	t	f	N-h	O	H
0.50	5.50	0.500	3.750	2.650	1.400	0.60	0.062	4-0.625	3.950	8.200
0.75	6.00	0.750	4.650	3.250	1.700	0.62	0.062	4-0.750	3.950	8.350
1.00	6.50	1.000	4.900	3.500	2.000	0.68	0.062	4-0.750	6.300	11.950
1.50	7.50	1.500	6.125	4.500	2.875	0.81	0.062	4-0.875	7.100	13.750
2.00	8.50	2.000	6.500	5.000	3.625	0.87	0.062	8-0.750	7.100	15.350
2.50	9.50	2.500	7.500	5.875	4.125	1.00	0.062	8-0.875	8.000	17.050
3.00	11.12	3.000	8.250	6.625	5.000	1.12	0.062	8-0.875	9.850	19.350
4.00	12.00	4.000	10.000	7.875	6.185	1.25	0.062	8-0.875	11.81	23.125
5.00	15.00	5.000	11.000	9.250	7.350	1.43	0.062	8-0.875	13.75	24.800
6.00	15.87	6.000	12.500	10.62	8.500	1.45	0.062	12-0.875	13.77	31.850
8.00	16.50	8.000	15.000	13.000	10.62	1.62	0.062	12-1.000	15.75	39.450
10.00	18.00	10.000	17.500	15.250	12.75	1.75	0.062	16-1.125	17.75	47.900
12.00	19.75	12.000	20.500	17.750	15.000	2.00	0.062	16-1.125	19.70	55.800
14.00	30.00	13.250	23.000	20.250	16.250	2.12	0.062	20-1.250	22.05	64.500
16.00	33.00	15.250	25.500	22.500	18.500	2.25	0.062	20-1.375	22.05	70.250
18.00	36.00	17.000	28.000	24.750	21.000	2.37	0.062	24-1.375	24.80	77.650
20.00	39.00	19.000	30.500	27.000	23.000	2.50	0.062	24-1.375	24.80	86.650
24.00	45.00	23.000	36.000	32.000	27.250	2.75	0.062	24-1.625	24.80	100.50

WILLIAM E. **WILLIAMS**
 VALVE CORPORATION
 38-52 REVIEW AVE L.I.C N.Y 1110

TITLE :CAST STAINLESS STEEL GATE VALVE

STYLE: B.B OS&Y CLASS: 300

Fig# S30F6-316 SIZE: 1/2"-24"

05/01	CAPTURED GASKET	MAT'L: CF8M	SCALE: NONE	SHEET: 1
DATE	REVISION RECORD	DATE	DR. Liang	CHK. APP'D DWG# 11GA060167