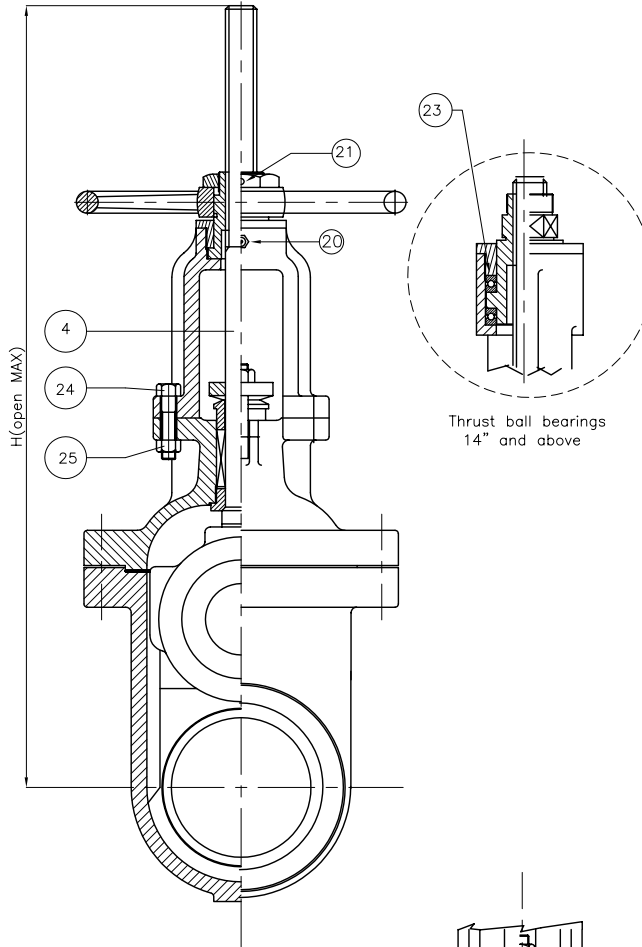
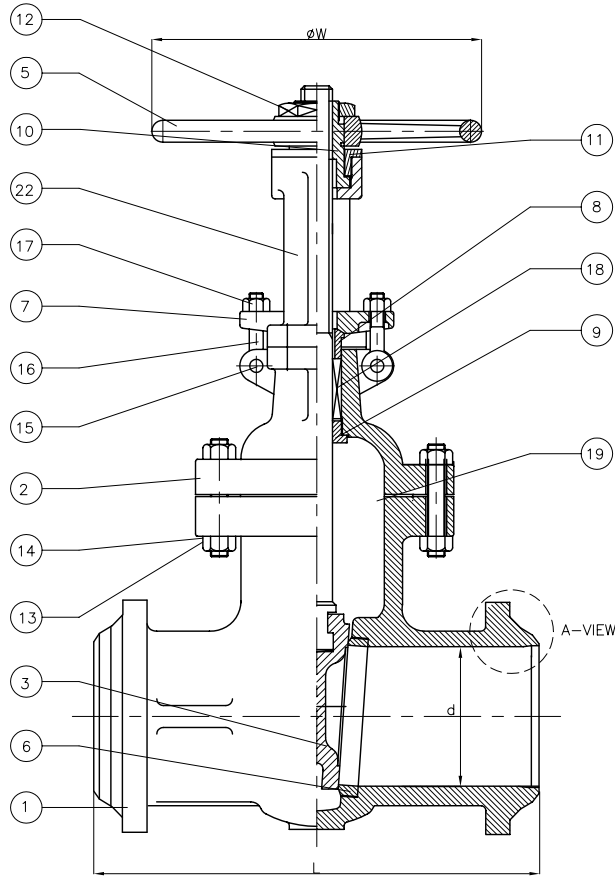


Wm. E. Williams No. 15W2 Class 150 BW OS&Y Gate Valve ASTM A 216 WCB (API Trim 8)



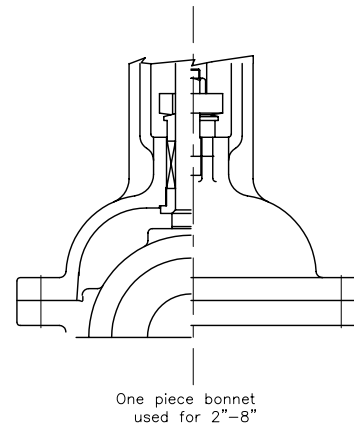
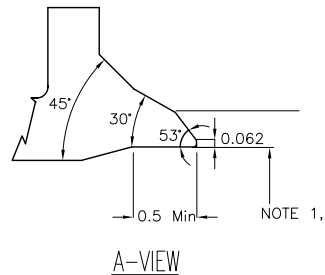
25	YOKE NUT	Carbon Steel	A307Gr B
24	YOKE BOLT	Carbon Steel	A307Gr B
23	BEARING	Steel	
22	YOKE	Carbon Steel	A216Gr WCB
21	SET SCREW	Steel	
20	NIPPLE	Steel	
19	GASKET	Metal	Graphite Overlay
18	PACKING	Graphited	P#6610+P#6528
17	GLAND NUT	Carbon Steel	A307Gr B
16	GLAND BOLT	Carbon Steel	A307Gr B
15	GLAND BOLT PIN	Carbon Steel	A105
14	BONNET NUT	Carbon Steel	A194Gr 2H
13	BONNET BOLT	Carbon Steel	A193Gr B7
12	HANDLE NUT	Carbon Steel	A105 or WCB
11	SLEEVE NUT	Carbon Steel	A105 or WCB
10	YOKE SLEEVE	Ductile Iron	A439Gr D2C
9	BACK SEAT	Stainless Steel ①	A479Gr 410
8	GLAND RING	Stainless Steel	A479Gr 410
7	GLAND FLANGE	Carbon Steel	A105 or WCB
6	SEAT RING	A105/HF ①	Stellite faced
5	HAND WHEEL	Ductile Iron	A197
4	STEM	Stainless Steel ①	A479Gr 410
3	WEDGE	A216Gr WCB ①	410/WELD
2	BONNET	Carbon Steel	A216Gr WCB
1	BODY	Carbon steel	A216Gr WCB
No:	Part	Material	Specifications

NOTE:

- SPECIFY PIPE SCHEDULE No. REQUIRED.
- RIM #2, (API #8), OTHER TRIMS AVAILABLE

UNIT: INCH

SIZE	d	L	H	W
2.00	2.00	8.50	15.75	7.08
2.50	2.50	9.50	17.75	7.08
3.00	3.00	11.12	20.50	8.81
4.00	4.00	12.00	23.30	10.25
5.00	5.00	15.00	27.75	10.25
6.00	6.00	15.88	32.00	11.81
8.00	8.00	16.50	39.50	14.00
10.00	10.00	18.00	47.63	15.57
12.00	12.00	19.75	56.00	17.72
14.00	14.00	22.50	61.50	22.00
16.00	15.25	24.00	72.83	22.00
18.00	17.25	26.00	77.20	23.62
20.00	19.25	28.00	87.00	25.62
24.00	23.25	32.00	100.0	25.62



*Other size available upon request.

STANDARDS	Face to Face / End to End	ANSI B16.10		
	Buttweldnig End	ANSI 16.25		
	Basic Design	API 600 ANSI B16.34		
	Testing	API 598	DATE	REVISION RECORD

WILLIAM E. **WILLIAMS**
VALVE CORPORATION
38-52 REVIEW AVE L.I.C N.Y 1110 1

TITLE : CAST STEEL GATE VALVE	
CLASS 150 B,B OS&Y, BUTTWELD END	
Fig# 15W-2	SIZE: 2"-24"
MAT'L: WCB	SCALE: NONE SHEET: 1/1
DATE	DR. CHK. APP'D DWG# 60GA060118