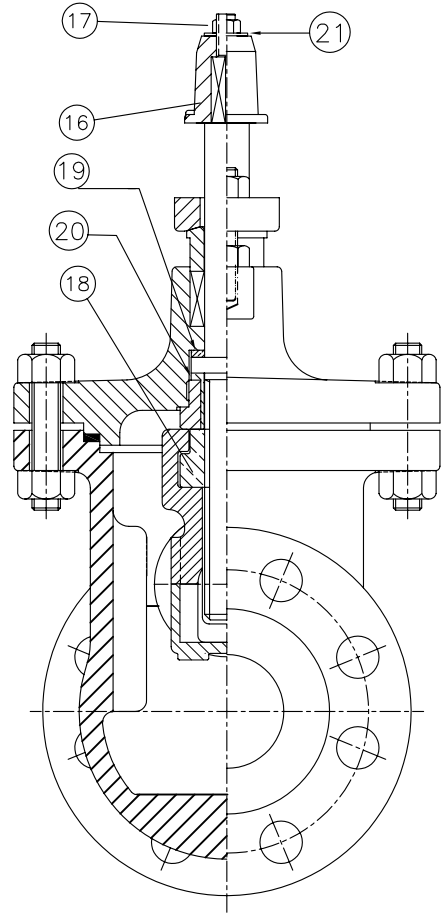
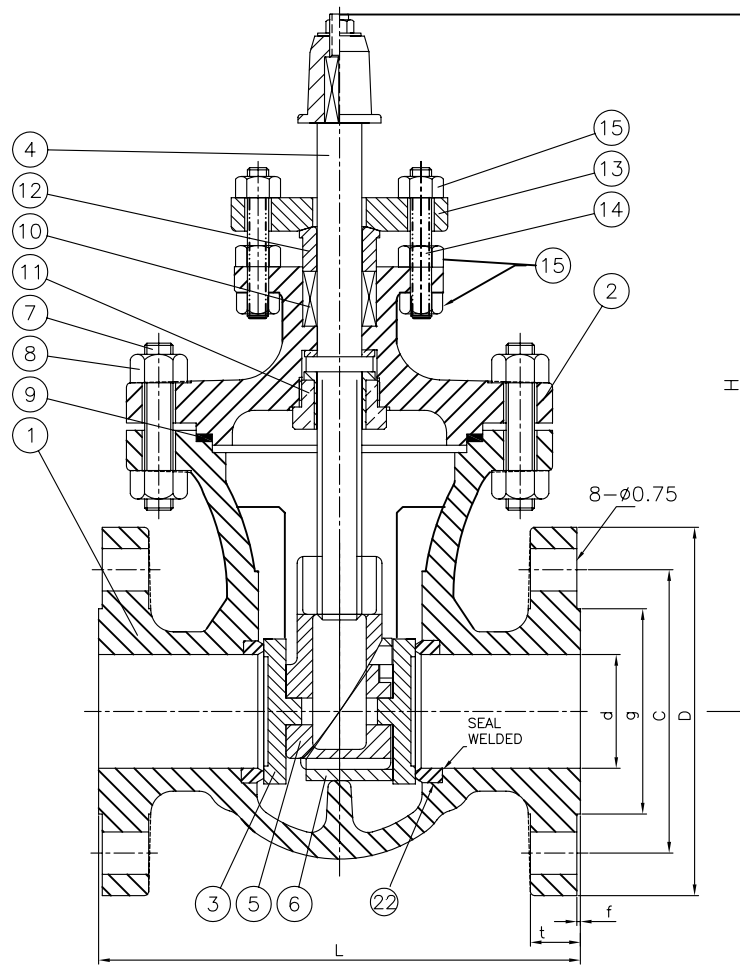


Wm. E. Williams No. N30F2 Class 300 RF NRS Gate Valve ASTM A 216 WCB (API Trim 8)



NO.	PART NAME	MATERIAL	Q'TY	REMARK
1	BODY	A216-WCB	1	NOTE 6.
2	BONNET	A216-WCB	1	
3	DISC	A216-WCB (HARD FACE)	2	NOTE 6.
4	STEM	A276-410	1	
5	UPPER WEDGE	A217-CA15	1	NOTE 7.
6	LOWER WEDGE	A217-CA15	1	NOTE 7.
7	BONNET BOLT	A193-B7	1SET	
8	BONNET NUT	A194-2H	1SET	
9	GASKET	304HOOP+GRAPHITE	1	SPIRAL WOUND
10	PACKING	PTFE-CHEVRON RING	1	OR EQUIVALENT
11	RETAINER	A276-410	1	
12	GLAND	B148-C95800	1	AL-BRONZE
13	GLAND FLANGE	A216-WCB	1	
14	GLAND STUD	A193-B7	2	
15	GLAND BOLT NUT	A194-2H	4	
16	OPERATING NUT	A108-1020	1	NOTE 8
17	HEX NUT	A194-2H	1	
18	STEM BUSH	B148-C95800	1	AL-BRONZE
19	THRUST WASHER	B148-C95800	2	AL-BRONZE
20	THRUST BUSH	B148-C95800	1	AL-BRONZE
21	WASHER	A576-1020	1	
22	SEAT RING	A105 WITH STELLITE		

NOTE

1. WALL THICKNESS : API 600 CLASS 300
2. FACE TO FACE DIMENSIONS : ANSI B16.10 CLASS 300
3. END FLANGE DIMENSIONS : ANSI B16.5 CLASS 300
4. CON EDISON.SPEC. S.9020,REV.8
5. VALVE TESTS : API 598
6. BODY AND DISC SEATING SURFACES : STELLITE HARD FACING
7. CONTACTING SURFACES OF LOWER WEDGE STELLITE HARD FACING. UPPER WEDGE Cr-13. (HB-270)
8. THE OPERATING NUT PER CON EDISON DWG. EO-17028-0. EDISON OPERATION WRENCH.

UNIT:INCH

SIZE	d	L	D	C	g	t	f	n-h	H	No. OF TURNS
2.00	2.00	8.50	6.50	5.00	3.63	0.88	0.060	8-0.75	13.00	13
3.00	3.00	11.12	8.25	6.625	5.00	1.12	0.060	8-0.87	14.75	21
4.00	4.00	12.00	10.00	7.875	6.18	1.25	0.060	8-0.87	17.25	18
6.00	6.00	15.88	12.50	10.63	8.50	1.44	0.060	12-0.87	21.25	20
8.00	8.00	16.50	15.00	13.00	10.62	1.62	0.060	12-1.00	26.50	26
10.00	10.00	18.00	17.50	15.25	12.75	1.88	0.060	16-1.12	30.75	34
12.00	12.00	19.75	20.50	17.75	15.00	2.00	0.060	16-1.25	36.00	39

▽ THE STEM TURNS FROM FULLY OPEN TO FULLY CLOSED POSITION.

REV. NO.	DATE	DESCRIPTION	PRE'D	CHK'D	APP'D
△					
△	04/10/03	CHANGED GLAND MATERIAL AL-BRONZE.	Ming		
△	07/18/02	INITIAL ISSUE	Ming		

TEST	SHELL	HYD.	1125 psig (79 kg/cm ²)
PRESSURE	SEAT	HYD.	825 psig (58 kg/cm ²)
		AIR	80 psig (6 kg/cm ²)



TITLE				
DOUBLE DISC NRS GATE VALVE UNDERGROUND STEAM SYSTEM				
MATERIAL: WCB	CLASS: 300 LB	SIZE: 2"-12"		
SCALE N/S	UNIT INCH	Fig No. N30F-2	DWG No.	60GA060087