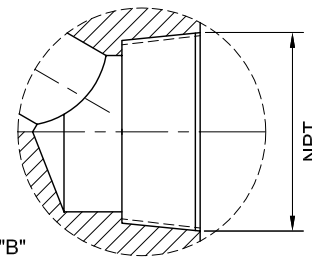
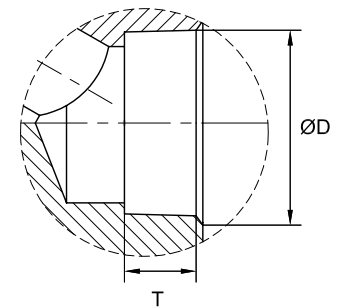


BILL OF MATERIALS				
NO.	PART NAME	MATERIALS	Q'TY	NOTES
1	BODY	ASTM A105 N		
2	SEAT	A105+STL		
3	DISC	A276 420		
4	DISC ARM	ASTM A105 N		
5	DISC NUT	A194 8		
6	HINGE PIN	ASTM A182 420		
7	GASKET	F304		
8	BONNET	A105N		
9	SCREW	193B7		
10	DRIVE	A182 F304		
11	NAME PLATE	AL		

Details "A" & "B"



Detail "A"
SCREWED ENDS (NPT)
TO ANSI/ASME B1.20.1



Detail "B"
SOCKET WELD ENDS
TO ASME B16.11

UNITS: mm

SIZE NPT	L	ØD	H	T
1/2	111	21.8	78	9.6
3/4	111	27.1	78	12.7
1	120	33.8	84	12.7
1 1/4	152	42.6	101	12.7
1 1/2	172	48.7	120	12.7
2	200	61.2	102	15.7

WILLIAM E.

WWW.WILLIAMSVALVE.COM



WILLIAMS
VALVE CORPORATION

38-52 REVIEW AVENUE
LONG ISLAND CITY, NY 11101

TEL: 718-392-1660
FAX: 718-729-5105

TITLE: FORGED STEEL BOLTED BONNET
SWING CHECK VALVE - CLASS 1500

MATERIAL: A105N	UNITS: mm
CLASS: 1500	DATE: 5/18/06
SCALE: N.T.S.	FIG. No.: F1501SW-2
SIZE: 1/2" - 2"	DWG No.: 38SCK060073
DRAWN BY: J.G.	
CHK'D & APR'D BY: R.S.	