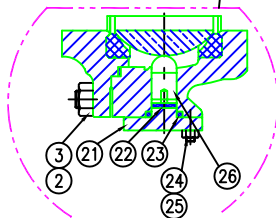
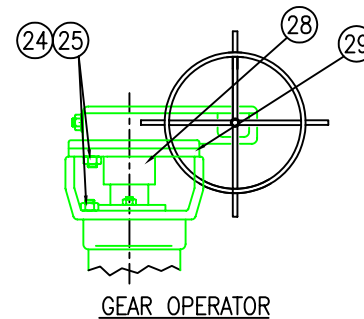
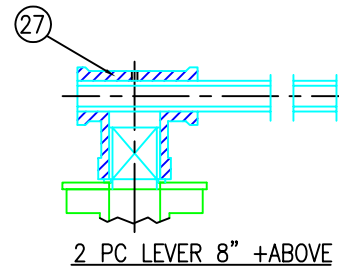
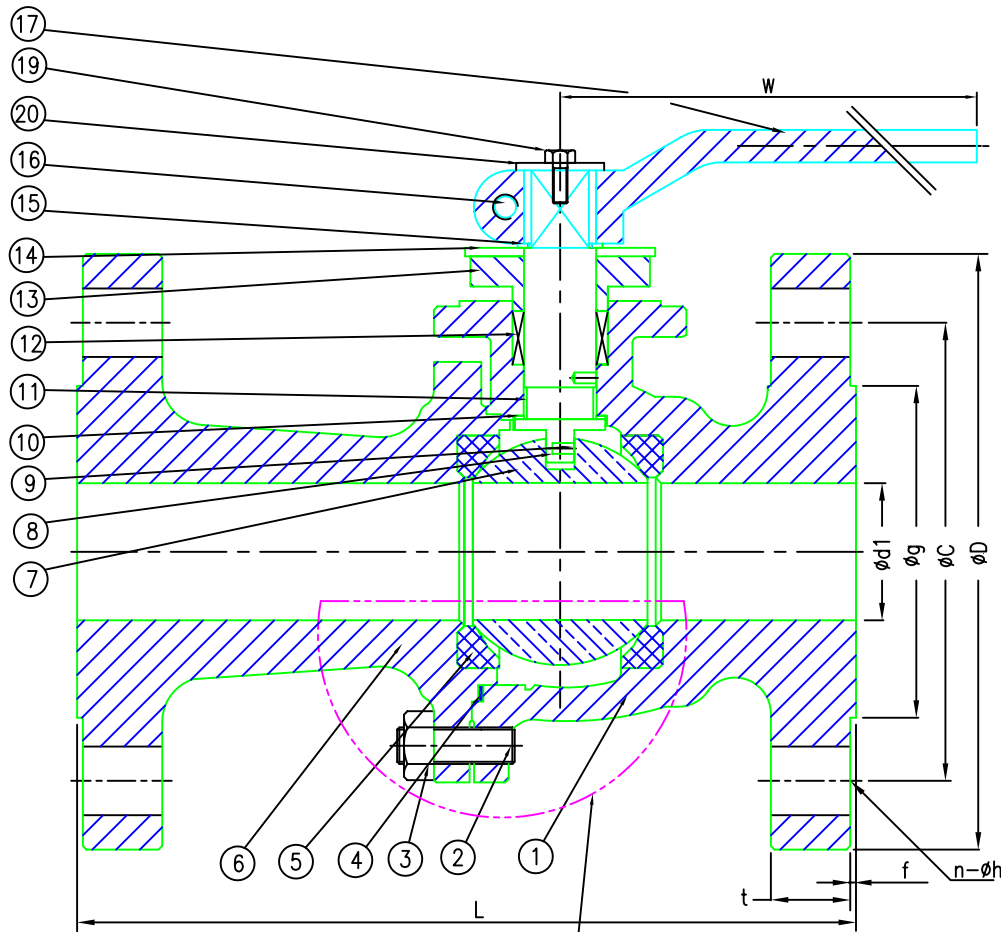
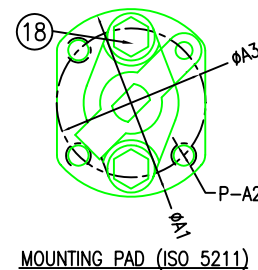


# William E. Williams W17F6RT Class 150 Full Port Ball Valve ASTM A216 WCB



SUPPORT VIEW  
SIZES 10" AND 12"



## BILL OF MATERIALS

NO.	PART NAME	MATERIALS
1	BODY	ASTM A216 WCB
2	STUD	ASTM 193 B7M
3	NUT	ASTM A194 2H
4	GASKET	304 + GRAPHITE
5	SEAT	PTFE
6	BODY CAP	ASTM A216 WCB
7	BALL	ASTM A182 F316
8	STEM	ASTM A182 F316
9	ANTISTATIC DEVICE	316 SS
10	THRUST BEARING	PTFE
11	STEM BUSHING	METAL BACKED PTFE
12	PACKING	GRAPHITE
13	GLAND	ASTM A216 WCB
14	STOPPER PLATE	A240-304
15	SNAP RING	18-8 SS(CR Plated)
16	BOLT	ASTM A193 B8M
17	LEVER	ASTM A216 WCB
18	GLAND BOLT	ASTM A193 B8
19	LEVER BOLT	ASTM A193 B8
20	WASHER	A240-304
21	LOWER COVER	ASTM A105 Zn
22	THRUST BEARING	METAL BACKED PTFE
23	GASKET	FLEXIBLE GASKET
24	NUT	ASTM A194 2H
25	STUD	ASTM A193 B7
26	SUPPORT BEARING	METAL BACKED PTFE
27	THREE-WAY	ASTM A216 WCB
28	CONNECTOR	A105 Zn
29	YOKE	A216 (G) WCB

STD:	API6D
SHELL TEST	150 PSI
SEAT TEST (Hyd)	OPTIONAL
SEAT TEST (Air)	80 PSI

Unit: INCH

SIZE	$\phi d1$	$\phi g$	$\phi C$	$\phi D$	t	f	L	$\phi h$	H	W	$\phi A1$	$\phi A3$	P-A2
1.00"	0.98	2.00	3.12	4.25	0.44	0.060	5.00	4-0.62	3.54	6.25	3.54	2.75	4-M8
1.50"	1.50	2.88	3.87	5.00	0.56	0.060	6.50	4-0.62	4.25	7.87	3.54	2.75	4-M8
2.00"	2.00	3.62	4.75	6.00	0.62	0.060	7.00	4-0.75	5.00	10.00	3.54	2.75	4-M8
2.50"	2.50	4.12	5.50	7.00	0.69	0.060	7.50	4-0.75	6.10	10.00	3.54	2.75	4-M8
3.00"	3.00	5.00	6.00	7.50	0.75	0.060	8.00	4-0.75	7.10	15.75	3.54	2.75	4-M8
4.00"	4.00	6.19	7.50	9.00	0.94	0.060	9.00	8-0.75	7.87	15.75	3.54	2.75	4-M8
6.00"	6.00	8.50	9.50	11.00	1.00	0.060	15.50	8-0.87	11.33	23.62	3.54	2.75	4-M8
8.00"	8.00	10.62	11.75	13.50	1.12	0.060	18.00	8-0.87	13.62	27.50	8.27	6.50	4-M16
10.00"	10.0	12.75	14.25	16.00	1.19	0.060	21.00	12-0.87	20.00	6.73	7.28	8.27	4-M20
12.00"	11.81	15.00	17.00	19.02	1.25	0.060	24.00	12-0.98	25.59	6.73	7.28	8.27	4-M20

WILLIAM E. WILLIAMS VALVE CORPORATION  
 38-52 REVIEW AVENUE LONG ISLAND CITY, NY 11101  
 TEL: 718-392-1660 FAX: 718-729-5106

TITLE: CAST STEEL BALL VALVE CLASS 150 FULL PORT		UNITS: INCH	
MATERIAL: WCB	DATE:	SCALE: NTS	
CLASS: 150 Lb	FIG. No.: W17F-6RT	DWG. No.: 27BL060297	
SIZE: 1" - 12"	DRAWN BY:		
CHK'D & APR'D BY:	APPROVED		

REV #	DATE	DESCRIPTION	APPROVED