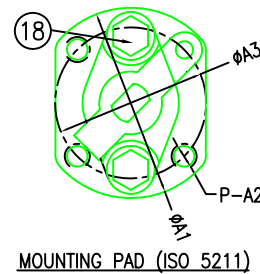
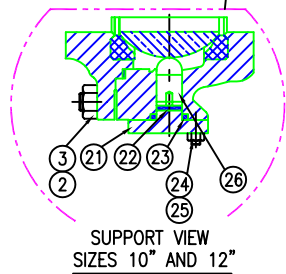
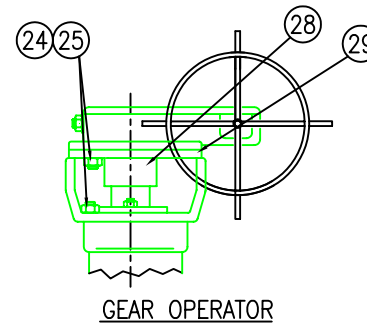
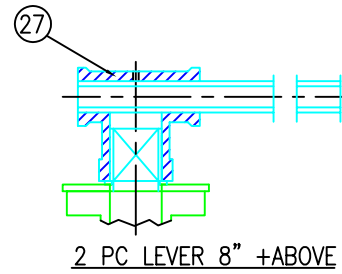
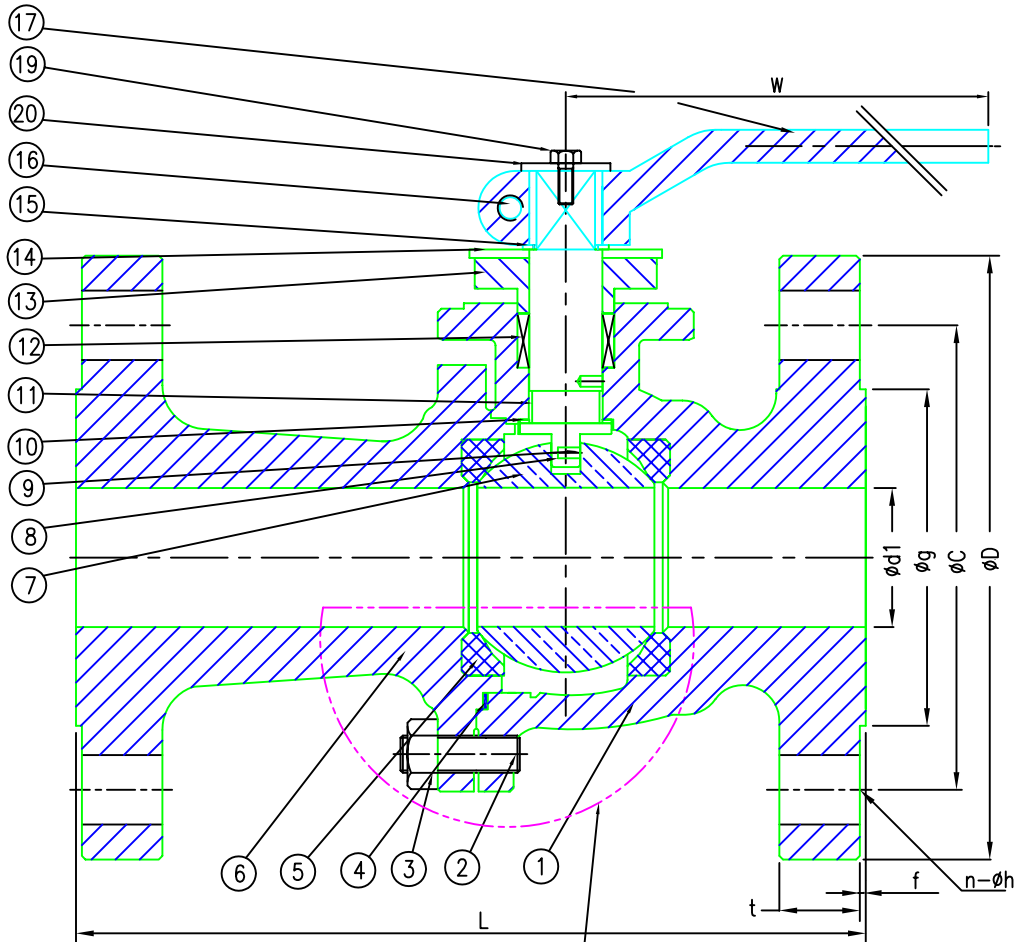


# William E. Williams W37F66RT Class 300 Full Port Ball Valve ASTM A351 CF8M



BILL OF MATERIALS		
NO.	PART NAME	MATERIALS
1	BODY	ASTM A351 CF8M
2	STUD	ASTM 193 B8M
3	NUT	ASTM A270 304
4	GASKET	304 + GRAPHITE
5	SEAT	PTFE
6	BODY CAP	ASTM A351 CF8M
7	BALL	ASTM A182 F316
8	STEM	ASTM A182 F316
9	ANTISTATIC DEVICE	316 SS
10	THRUST BEARING	PTFE
11	STEM BUSHING	METAL BACKED PTFE
12	PACKING	GRAPHITE
13	GLAND	ASTM A351 CF8M
14	STOPPER PLATE	A240-304
15	SNAP RING	18-8 SS(CR Plated)
16	BOLT	ASTM A193 B8M
17	LEVER	ASTM A216 WCB
18	GLAND BOLT	ASTM A270 304
19	LEVER BOLT	ASTM A193 B8
20	WASHER	A240-304
21	LOWER COVER	ASTM A105 Zn
22	THRUST BEARING	METAL BACKED PTFE
23	GASKET	FLEXIBLE GASKET
24	NUT	ASTM A194 2H
25	STUD	ASTM A193 B7
26	SUPPORT BEARING	METAL BACKED PTFE
27	THREE-WAY	ASTM A216 WCB.HZn
28	CONNECTOR	A105 Zn
29	YOKE	A216 (G) WCB

STD:	API6D
SHELL TEST	1125 PSI
SEAT TEST (Hyd)	OPTIONAL
SEAT TEST (Air)	80 PSI

WILLIAM E. WILLIAMS VALVE CORPORATION  
 38-52 REVIEW AVENUE, LONG ISLAND CITY, NY 11101  
 TEL: 718-992-1660, FAX: 718-729-5106  
 www.williamsvalve.com

TITLE: CAST STAINLESS STEEL BALL VALVE CLASS 300 FULL PORT	
MATERIAL: CF8M	UNITS: INCH
CLASS: 300 Lb	DATE:
SCALE: NTS	FIG. No.: W37F66RT
SIZE: 2" - 12"	DWG No.:
DRAWN BY:	27BL060296
CHK'D & APR'D BY:	

UNIT: INCH

SIZE	ød1	øD	øC	øg	t	f	L	n-øh	H	w	øA1	øA3	P-A2
2.00	2.00	6.50	5.000	3.63	0.88	0.06	8.50	8-0.75	5.28	10.00	ø3.54	2.75	4-M8
3.00	3.00	8.25	6.625	5.00	1.13	0.06	11.13	8-0.87	7.40	15.75	ø3.54	2.75	4-M8
4.00	4.00	10.00	7.875	6.18	1.25	0.06	12.00	8-0.87	7.87	15.75	ø3.54	2.75	4-M8
6.00	6.00	12.50	10.63	8.50	1.44	0.06	15.87	12-0.87	11.34	23.50	ø3.54	2.75	4-M8
8.00	8.00	15.00	13.00	10.63	1.63	0.06	19.75	12-1.00	14.33	31.50	ø8.27	6.50	4-M16
10.00	10.0	16.00	14.25	12.75	1.19	0.06	21.00	12-0.87	20.00	39.37	ø7.28	8.27	4-M20
12.00	11.81	19.02	17.00	15.00	1.25	0.06	24.00	12-0.98	25.59	47.69	ø7.28	8.27	4-M20

REV #	DATE	DESCRIPTION	APPROVED