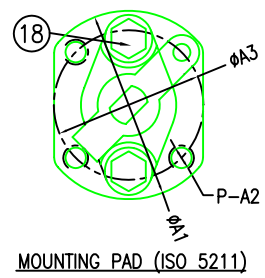
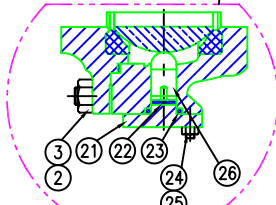
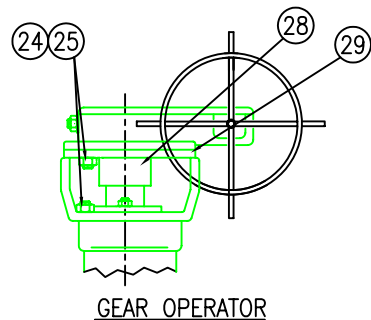
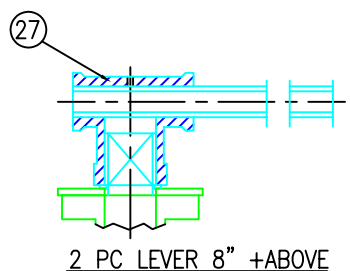
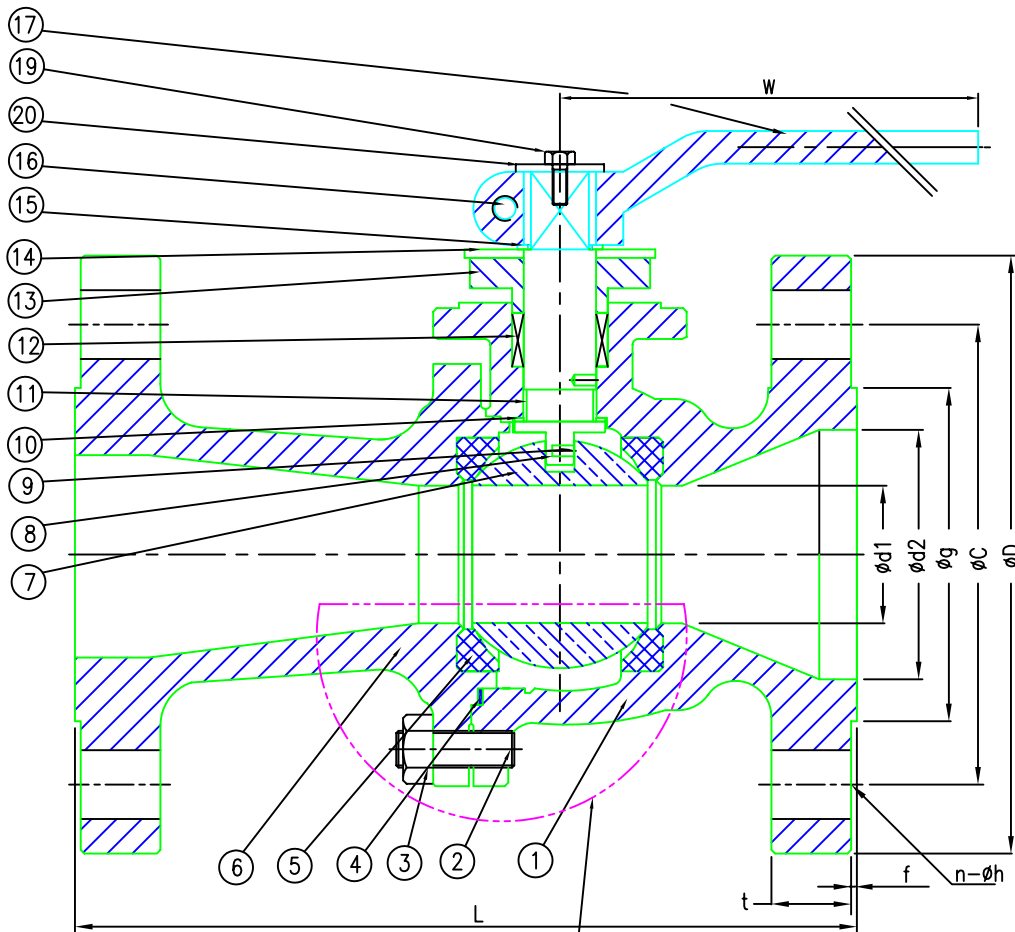


William E. Williams C36F6RT Class 300 Std. Port Ball Valve ASTM A216 WCB



BILL OF MATERIALS			
NO.	PART NAME	MATERIALS	
1	BODY	ASTM A216 WCB	
2	STUD	ASTM 193 B7M	
3	NUT	ASTM A194 2H	
4	GASKET	304 + GRAPHITE	
5	SEAT	PTFE	
6	BODY CAP	ASTM A216 WCB	
7	BALL	ASTM A182 F316	
8	STEM	ASTM A182 F316	
9	ANTISTATIC DEVICE	316 SS	
10	THRUST BEARING	PTFE	
11	STEM BUSHING	METAL BACKED PTFE	
12	PACKING	GRAPHITE	
13	GLAND	ASTM A216 WCB	
14	STOPPER PLATE	A240-304	
15	SNAP RING	18-8 SS(CR Plated)	
16	BOLT	ASTM A193 B7M	
17	LEVER	ASTM A216 WCB	
18	GLAND BOLT	ASTM A193 B8	
19	LEVER BOLT	ASTM A193 B8	
20	WASHER	A240-304	
21	LOWER COVER	ASTM A105 Zn	
22	THRUST BEARING	METAL BACKED PTFE	
23	GASKET	FLEXIBLE GASKET	
24	NUT	ASTM A194 2H	
25	STUD	ASTM A193 B7	
26	SUPPORT BEARING	METAL BACKED PTFE	
27	THREE-WAY	ASTM A216 WCB	
28	CONNECTOR	A105 Zn	
29	YOKE	A216 (G) WCB	

STD:	API6D
SHELL TEST	1125 PSI
SEAT TEST (Hyd)	OPTIONAL
SEAT TEST (Air)	80 PSI

WILLIAM E. WILLIAMS VALVE CORPORATION
 38-52 REVIEW AVENUE, LONG ISLAND CITY, NY 11101
 TEL: 718-392-1660, FAX: 718-729-5106

UNIT: INCH	DIMENSION														
SIZE	$\phi d1$	$\phi d2$	ϕD	t	f	ϕg	ϕC	n	ϕh	L	H	W	$\phi A1$	$\phi A3$	P-A2
2"	1.50	2.00	6.00	0.75	0.06	3.62	4.75	4	0.62	7.00	5.00	9.84	$\phi 4.92$	4.02	4-M10
3"	2.00	3.00	7.50	0.75	0.06	5.00	6.00	4	0.62	8.00	5.47	9.84	$\phi 4.92$	4.02	4-M10
4"	3.00	4.00	9.00	0.940	0.06	6.19	7.50	8	0.62	9.00	7.08	13.87	$\phi 4.92$	4.02	4-M10
6"	4.00	5.98	11.00	1.000	0.06	8.50	9.50	8	0.75	10.50	7.68	18.10	$\phi 4.92$	4.02	4-M10
8"	5.98	8.00	13.50	1.125	0.06	10.62	11.75	8	0.75	11.50	10.08	31.50	$\phi 6.88$	5.51	4-M16
10"	10.0	10.00	16.00	1.19	0.06	12.75	15.25	12	0.87	21.00	20.00	39.37	$\phi 8.27$	7.28	4-M20
12"	11.81	12.00	19.02	1.25	0.06	15.00	17.00	12	0.98	24.00	25.59	15.35	$\phi 8.27$	7.28	4-M20

REV #	DATE	DESCRIPTION	APPROVED

TITLE: CAST STEEL BALL VALVE CLASS 300 STANDARD PORT		UNITS: INCH	
MATERIAL: WCB	DATE:	SCALE: NTS	
CLASS: 300 Lb		FIG. No.: W36F6RT	
SIZE: 2" - 12"		DWG No.: 27BL060294	
DRAWN BY:			
CHK'D & APR'D BY:			