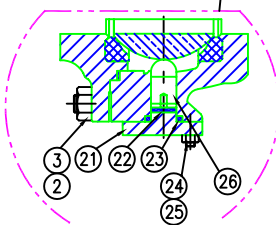
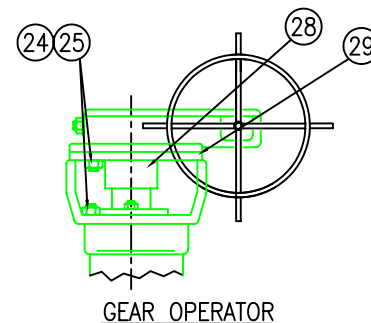
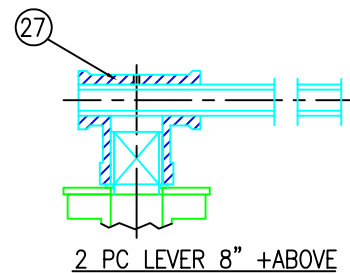
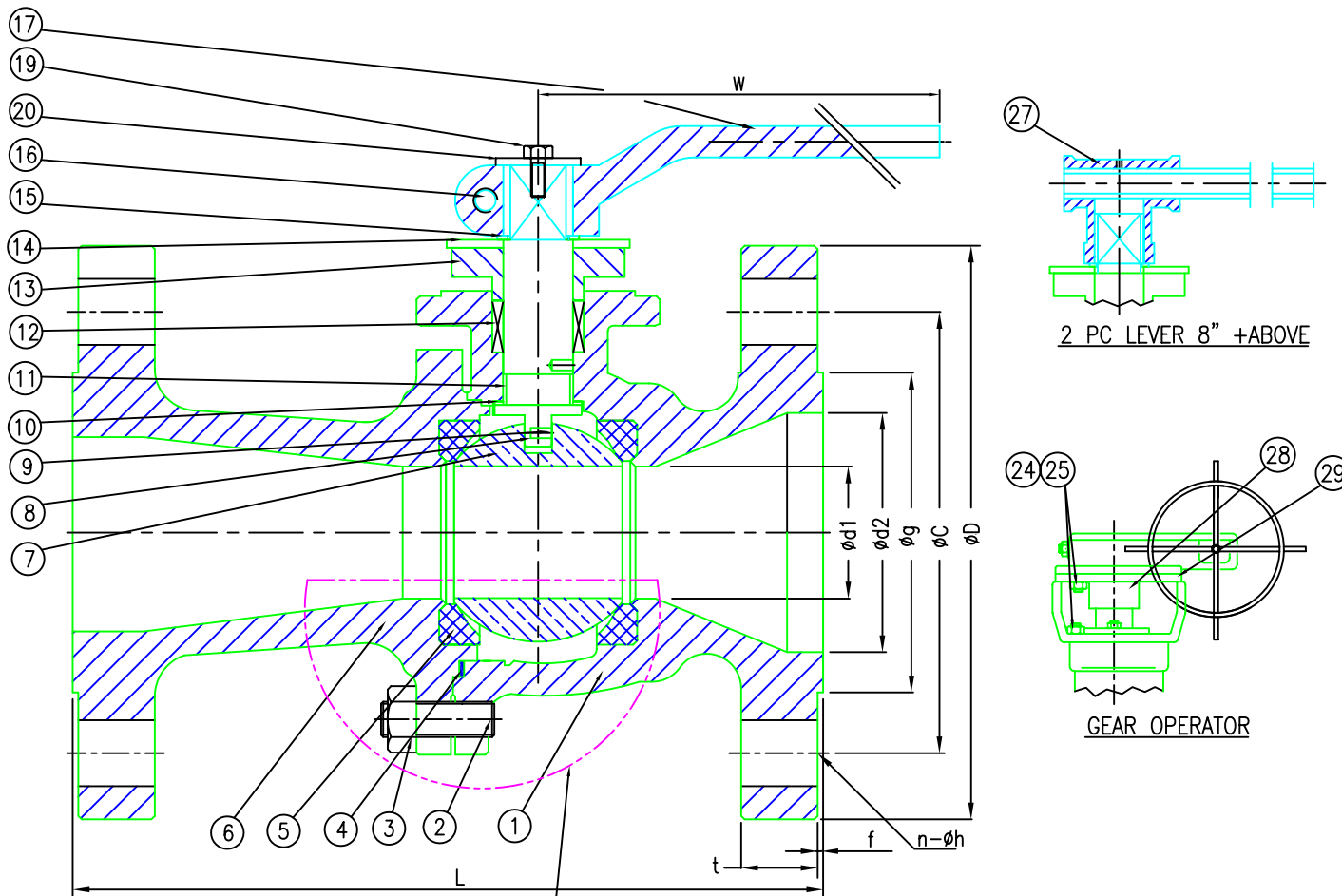
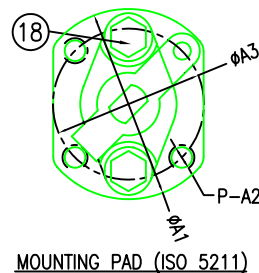


William E. Williams W16F6RT Class 150 Std. Port Ball Valve ASTM A216 WCB



SUPPORT VIEW
SIZES 10" AND 12"



MOUNTING PAD (ISO 5211)

BILL OF MATERIALS			
NO.	PART NAME	MATERIALS	
1	BODY	ASTM A216 WCB	
2	STUD	ASTM 193 B7M	
3	NUT	ASTM A194 2H	
4	GASKET	304 + GRAPHITE	
5	SEAT	PTFE	
6	BODY CAP	ASTM A216 WCB	
7	BALL	ASTM A182 F316	
8	STEM	ASTM A182 F316	
9	ANTISTATIC DEVICE	316 SS	
10	THRUST BEARING	PTFE	
11	STEM BUSHING	METAL BACKED PTFE	
12	PACKING	GRAPHITE	
13	GLAND	ASTM A216 WCB	
14	STOPPER PLATE	A240-304	
15	SNAP RING	18-8 SS(CR Plated)	
16	BOLT	ASTM A193 B7M	
17	LEVER	ASTM A216 WCB	
18	GLAND BOLT	ASTM A193 B8	
19	LEVER BOLT	ASTM A193 B8	
20	WASHER	A240-304	
21	LOWER COVER	ASTM A105 Zn	
22	THRUST BEARING	METAL BACKED PTFE	
23	GASKET	FLEXIBLE GASKET	
24	NUT	ASTM A194 2H	
25	STUD	ASTM A193 B7	
26	SUPPORT BEARING	METAL BACKED PTFE	
27	THREE-WAY	ASTM A216 WCB	
28	CONNECTOR	A105 Zn	
29	YOKE	A216 (G) WCB	

STD:	API6D
SHELL TEST	150 PSI
SEAT TEST (Hyd)	OPTIONAL
SEAT TEST (Air)	80 PSI

WILLIAM E. WILLIAMS VALVE CORPORATION
 38-52 REVIEW AVENUE LONG ISLAND CITY, NY 11101
 TEL: 718-392-1660 FAX: 718-729-5106
 WWW.WILLIAMSVALVE.COM

UNIT: INCH	DIMENSION														
SIZE	ød1	ød2	øD	t	f	øg	øC	n	øh	L	H	W	øA1	øA3	P-A2
2"	1.50	2.00	6.00	0.75	0.06	3.62	4.75	4	0.62	7.00	5.00	9.84	ø 4.92	4.02	4-M10
3"	2.00	3.00	7.50	0.75	0.06	5.00	6.00	4	0.62	8.00	5.47	9.84	ø 4.92	4.02	4-M10
4"	3.00	4.00	9.00	0.940	0.06	6.19	7.50	8	0.62	9.00	7.08	13.87	ø 4.92	4.02	4-M10
6"	4.00	5.98	11.00	1.000	0.06	8.50	9.50	8	0.75	10.50	7.68	18.10	ø 4.92	4.02	4-M10
8"	5.98	8.00	13.50	1.125	0.06	10.62	11.75	8	0.75	11.50	10.08	31.50	ø 6.88	5.51	4-M16
10"	10.0	10.00	16.00	1.19	0.06	12.75	15.25	12	0.87	21.00	20.00	39.37	ø 8.27	7.28	4-M20
12"	11.81	12.00	19.02	1.25	0.06	15.00	17.00	12	0.98	24.00	25.59	15.35	ø 8.27	7.28	4-M20

TITLE: CAST STEEL BALL VALVE CLASS 150 STANDARD PORT		UNITS: INCH	
MATERIAL: WCB		SCALE: NTS	
CLASS: 150 Lb		DATE:	
SIZE: 2" - 12"		FIG. No.: W16F6RT	
DRAWN BY:		DWG. No.: 27BL060293	
CHK'D & APR'D BY:			

REV #	DATE	DESCRIPTION	APPROVED

REVISION RECORD