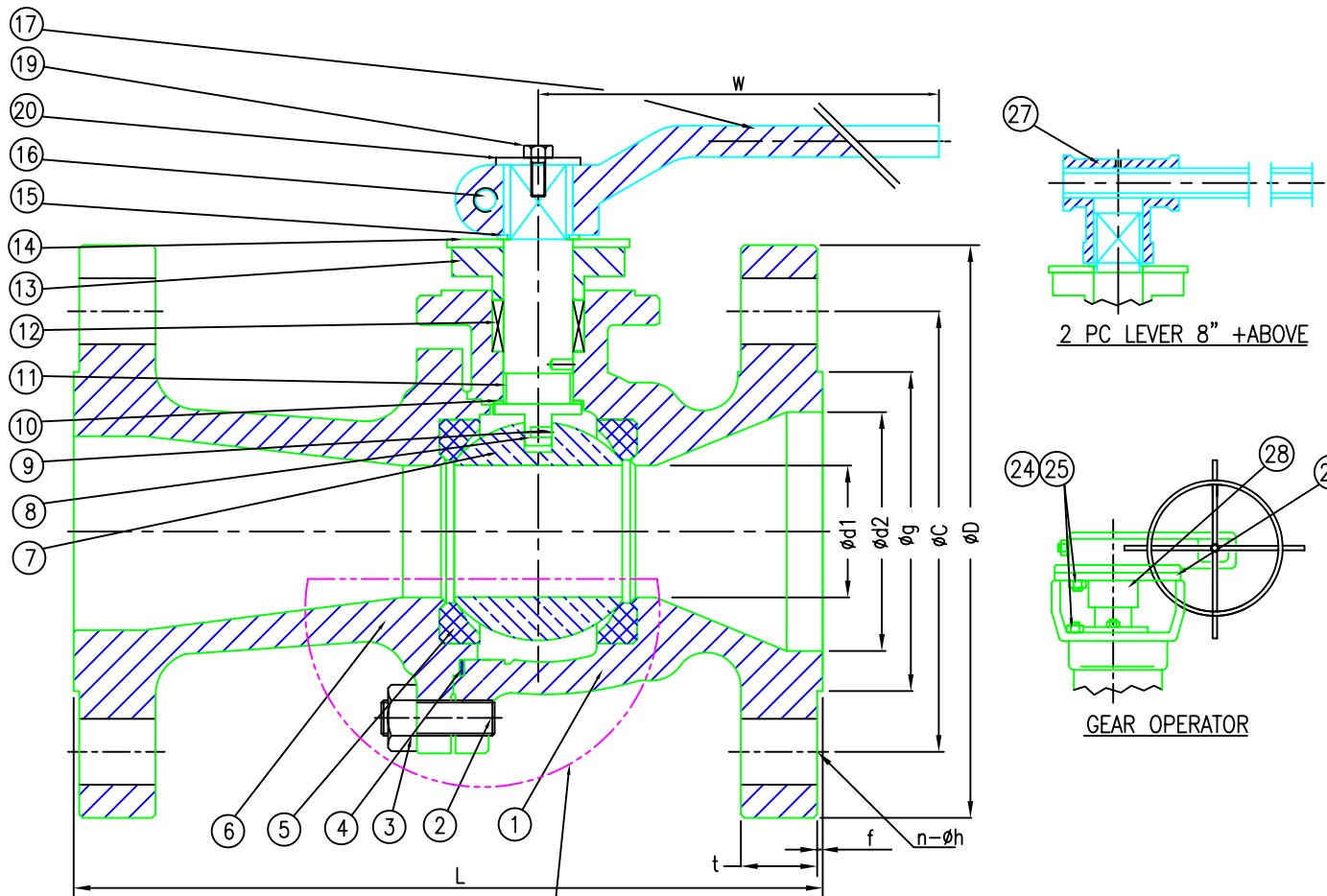
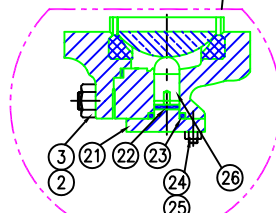


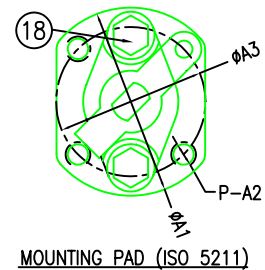
Williams E. Williams W36F66RT Class 300 Std. Port Ball Valve ASTM A351 CF8M



BILL OF MATERIALS			
NO.	PART NAME	MATERIALS	
1	BODY	ASTM A351 CF8M	
2	STUD	ASTM 193 B8M	
3	NUT	ASTM A270 304	
4	GASKET	304 + GRAPHITE	
5	SEAT	PTFE	
6	BODY CAP	ASTM A351 CF8M	
7	BALL	ASTM A182 F316	
8	STEM	ASTM A182 F316	
9	ANTISTATIC DEVICE	316 SS	
10	THRUST BEARING	PTFE	
11	STEM BUSHING	METAL BACKED PTFE	
12	PACKING	GRAPHITE	
13	GLAND	ASTM A351 CF8M	
14	STOPPER PLATE	A240-304	
15	SNAP RING	18-8 SS(CR Plated)	
16	BOLT	ASTM A193 B8M	
17	LEVER	ASTM A216 WCB	
18	GLAND BOLT	ASTM A270 304	
19	LEVER BOLT	ASTM A193 B8	
20	WASHER	A240-304	
21	LOWER COVER	ASTM A105 Zn	
22	THRUST BEARING	METAL BACKED PTFE	
23	GASKET	FLEXIBLE GASKET	
24	NUT	ASTM A194 2H	
25	STUD	ASTM A193 B7	
26	SUPPORT BEARING	METAL BACKED PTFE	
27	THREE-WAY	ASTM A216 WCB.HZn	
28	CONNECTOR	A105 Zn	
29	YOKE	A216 (G) WCB	



SUPPORT VIEW
SIZES 10" AND 12"



MOUNTING PAD (ISO 5211)

SIZE	DIMENSION														
	$\phi d1$	$\phi d2$	ϕD	t	f	ϕg	ϕC	n	ϕh	L	H	W	$\phi A1$	$\phi A3$	P-A2
2"	1.50	2.00	6.00	0.75	0.06	3.62	4.75	4	0.62	7.00	5.00	9.84	$\phi 4.92$	4.02	4-M10
3"	2.00	3.00	7.50	0.75	0.06	5.00	6.00	4	0.62	8.00	5.47	9.84	$\phi 4.92$	4.02	4-M10
4"	3.00	4.00	9.00	0.940	0.06	6.19	7.50	8	0.62	9.00	7.08	13.87	$\phi 4.92$	4.02	4-M10
6"	4.00	5.98	11.00	1.000	0.06	8.50	9.50	8	0.75	10.50	7.68	18.10	$\phi 4.92$	4.02	4-M10
8"	5.98	8.00	13.50	1.125	0.06	10.62	11.75	8	0.75	11.50	10.08	31.50	$\phi 6.88$	5.51	4-M16
10"	10.0	10.00	16.00	1.19	0.06	12.75	15.25	12	0.87	21.00	20.00	39.37	$\phi 8.27$	7.28	4-M20
12"	11.81	12.00	19.02	1.25	0.06	15.00	17.00	12	0.98	24.00	25.59	15.35	$\phi 8.27$	7.28	4-M20

STD:	API6D
SHELL TEST	1125 PSI
SEAT TEST (Hyd)	OPTIONAL
SEAT TEST (Air)	80 PSI

WILLIAM E. WILLIAMS VALVE CORPORATION
 38-52 REVIEW AVENUE LONG ISLAND CITY, NY 11101
 TEL: 718-392-1660 FAX: 718-729-5106

TITLE: CAST STAINLESS STEEL BALL VALVE CLASS 300 STANDARD PORT		MATERIAL: CF8M	UNITS: INCH
CLASS: 300 Lb		DATE:	SCALE: NTS
SIZE: 2" - 12"		DRAWN BY:	FIG. No.: W36F66RT
CHK'D & APR'D BY:		DWG No.:	27BL060292

REV #	DATE	DESCRIPTION	APPROVED
REVISION RECORD			