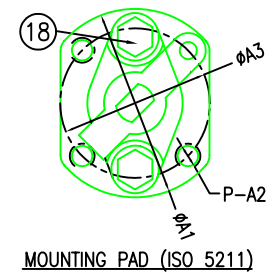
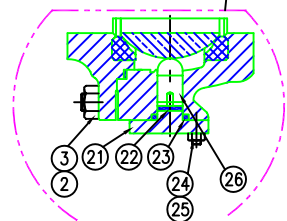
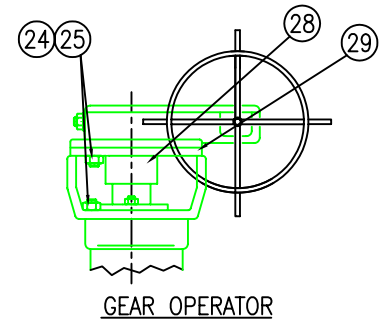
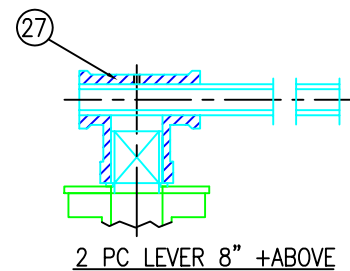
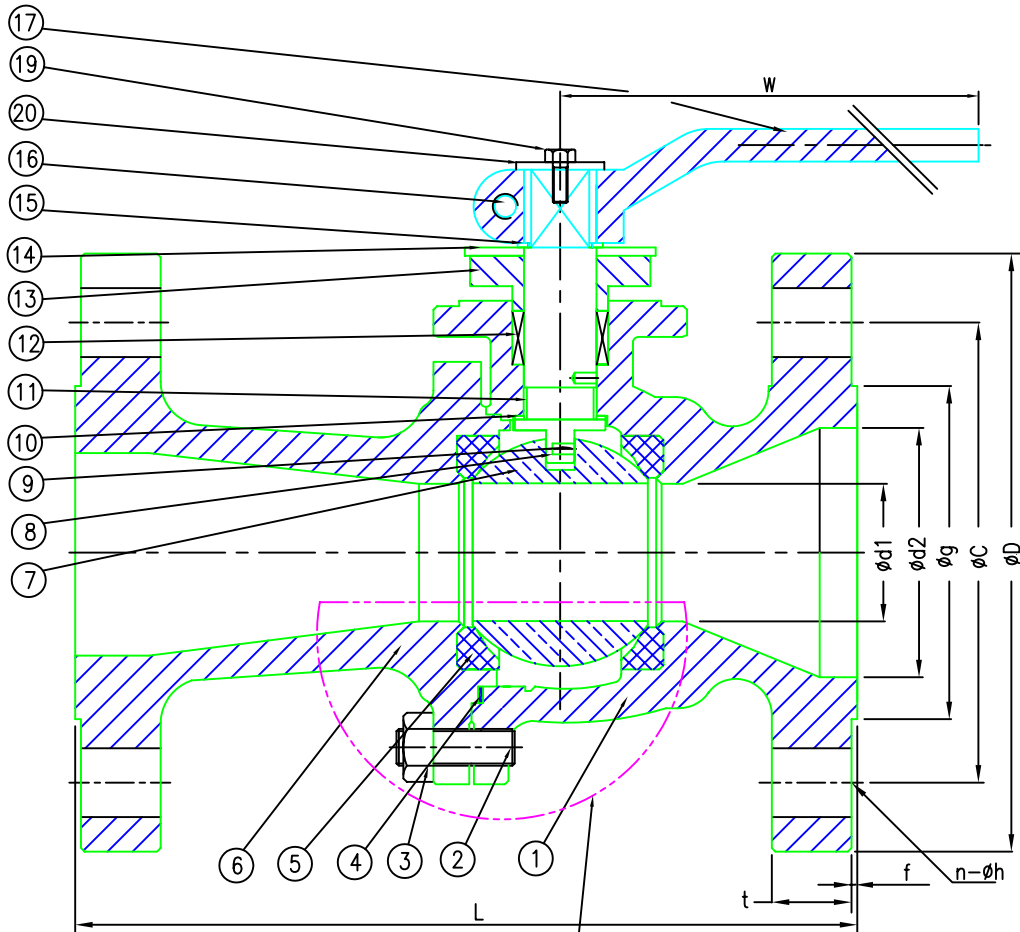


# William E. Williams W16F66RT Class 150 Std. Port Ball Valve ASTM A351 CF8M



BILL OF MATERIALS			
NO.	PART NAME	MATERIALS	
1	BODY	ASTM A351 CF8M	
2	STUD	ASTM 193 B8M	
3	NUT	ASTM A270 304	
4	GASKET	304 + GRAPHITE	
5	SEAT	PTFE	
6	BODY CAP	ASTM A351 CF8M	
7	BALL	ASTM A182 F316	
8	STEM	ASTM A182 F316	
9	ANTISTATIC DEVICE	316 SS	
10	THRUST BEARING	PTFE	
11	STEM BUSHING	METAL BACKED PTFE	
12	PACKING	GRAPHITE	
13	GLAND	ASTM A351 CF8M	
14	STOPPER PLATE	A240-304	
15	SNAP RING	18-8 SS(CR Plated)	
16	BOLT	ASTM A193 B8M	
17	LEVER	ASTM A216 WCB	
18	GLAND BOLT	ASTM A270 304	
19	LEVER BOLT	ASTM A193 B8	
20	WASHER	A240-304	
21	LOWER COVER	ASTM A105 Zn	
22	THRUST BEARING	METAL BACKED PTFE	
23	GASKET	FLEXIBLE GASKET	
24	NUT	ASTM A194 2H	
25	STUD	ASTM A193 B7	
26	SUPPORT BEARING	METAL BACKED PTFE	
27	THREE-WAY	ASTM A216 WCB.HZn	
28	CONNECTOR	A105 Zn	
29	YOKE	A216 (G) WCB	

STD:	API6D
SHELL TEST	150 PSI
SEAT TEST (Hyd)	OPTIONAL
SEAT TEST (Air)	80 PSI

WILLIAM E. WILLIAMS VALVE CORPORATION  
 38-52 REVIEW AVENUE LONG ISLAND CITY, NY 11101  
 TEL: 718-392-1660 FAX: 718-729-5106

SIZE	DIMENSION														
	ød1	ød2	øD	t	f	øg	øC	n	øh	L	H	W	øA1	øA3	P-A2
2"	1.50	2.00	6.00	0.75	0.06	3.62	4.75	4	0.62	7.00	5.00	9.84	ø 4.92	4.02	4-M10
3"	2.00	3.00	7.50	0.75	0.06	5.00	6.00	4	0.62	8.00	5.47	9.84	ø 4.92	4.02	4-M10
4"	3.00	4.00	9.00	0.940	0.06	6.19	7.50	8	0.62	9.00	7.08	13.87	ø 4.92	4.02	4-M10
6"	4.00	5.98	11.00	1.000	0.06	8.50	9.50	8	0.75	10.50	7.68	18.10	ø 4.92	4.02	4-M10
8"	5.98	8.00	13.50	1.125	0.06	10.62	11.75	8	0.75	11.50	10.08	31.50	ø 6.88	5.51	4-M16
10"	10.0	10.00	16.00	1.19	0.06	12.75	15.25	12	0.87	21.00	20.00	39.37	ø 8.27	7.28	4-M20
12"	11.81	12.00	19.02	1.25	0.06	15.00	17.00	12	0.98	24.00	25.59	15.35	ø 8.27	7.28	4-M20

TITLE: CAST STAINLESS STEEL BALL VALVE CLASS 150 STANDARD PORT		MATERIAL: CF8M		UNITS: INCH	
CLASS: 150 Lb		DATE:		SCALE: NTS	
SIZE: 2" - 12"		DRAWN BY:		FIG. No.: W16F66RT	
CHK'D & APR'D BY:		DWG No.: 27BL060291			

REV #	DATE	DESCRIPTION	APPROVED