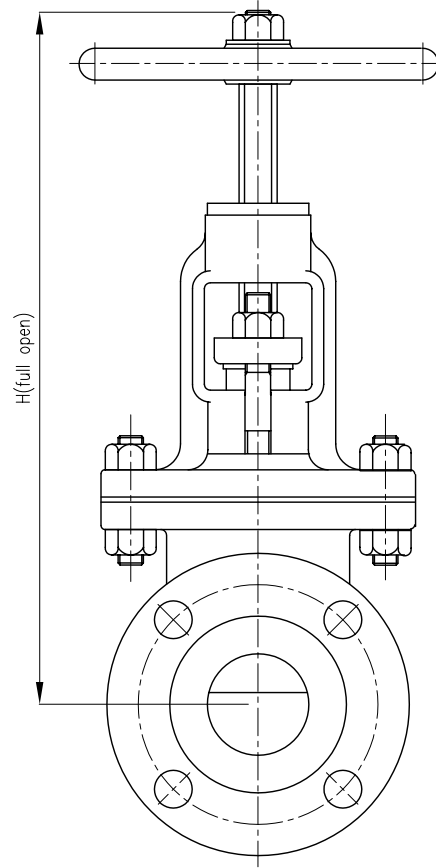
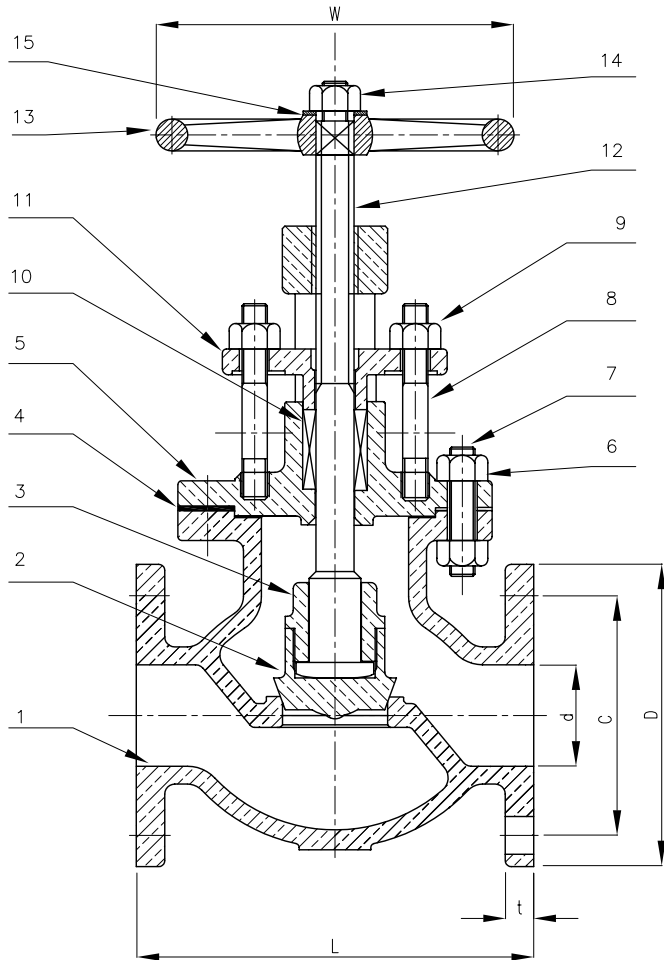


# William E. Williams B15G Class 150 BB OS&Y Globe Valve ASTM B62


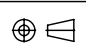


15	WASHER	BRASS		
14	HANDWHEEL NUT	ASTM B16	1	
13	HAND WHEEL	ASTM A197	1	
12	STEM	ASTM B124	1	
11	GLAND FLANGE	ASTM B62	1	
10	PACKING	TFE	1	
9	GLAND STUD	ASTM B16	2	
8	GLAND STUD	ASTM B16	2	
7	BONNET STUD NUT	ASTM B16	1set	
6	BONNET STUD	ASTM B16	1set	
5	BONNET	ASTM B62	1	
4	GASKET	NON-ASBESTOS	1	
3	DISC NUT	ASTM B124	1	
2	DISC	ASTM B62	1	
1	BODY	ASTM B62	1	
No;	PARTS	MATERIAL	Q'TY	REMARK

**NOTES:**

1. STOP CHECK DESIGN. (OPTIONAL)
2. ALTERNATE MATERIALS AVAILABLE.

SIZE	d	D	C	L	t	H	w
1.50	1.50	5.00	3.87	6.50	0.437	9.25	5.00
2.00	2.00	6.00	4.75	7.00	0.500	10.94	7.87
2.50	2.50	7.00	5.50	8.50	0.568	11.44	7.87
3.00	3.00	7.50	6.00	9.12	0.625	15.44	8.82
4.00	4.00	9.00	7.50	12.00	0.687	14.00	11.00
5.00	5.00	10.00	8.50	14.00	0.750	16.25	11.00
6.00	6.00	11.00	9.50	16.62	0.813	18.00	14.00
8.00	8.00	13.50	11.75	19.50	0.938	21.25	15.75

△						APPLICABLE STANDARDS	INSPECTION & TEST: API 598			 TITLE CAST BRONZE GLOBE VALVE CLASS 150 BB-OS&Y			
△						MSS-SP6 MSS-SP25	SHELL	HYDRO	350 PSIG				
△						MSS-SP9 MSS-SP82	BACK SEAT	HYDRO	225 PSIG	SCALE	Fig #	DRAWING NO.	 REV. 0
NO.	DATE	DESCRIPTION	PRP'D	REV'D	APP'D	DESIGNED	ANSI B16,24	SEAT	HYDRO	NONE	B15G	20BRO60165	