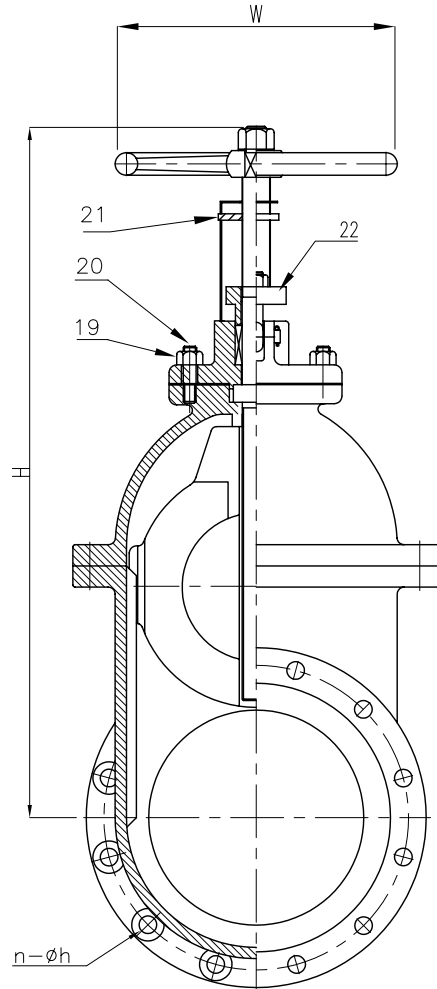
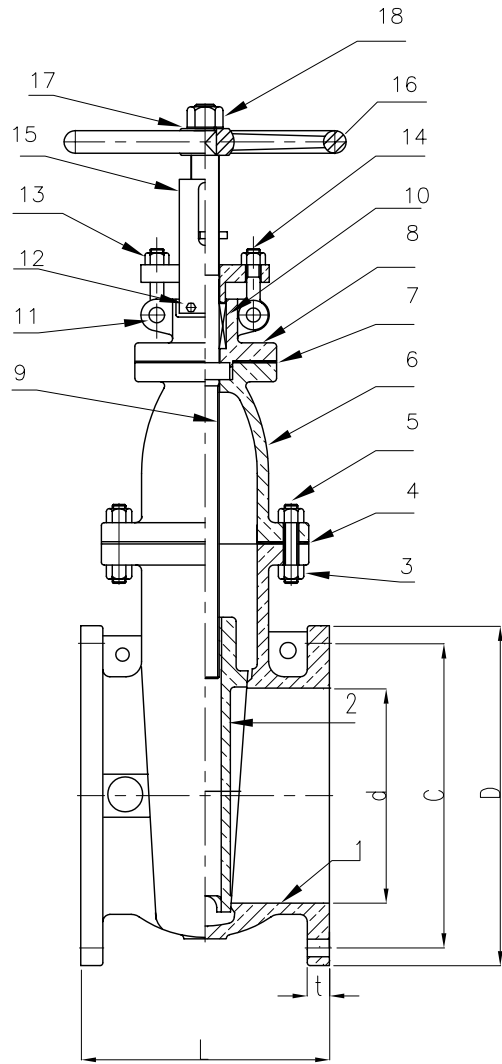


# Wm. E. Williams No. 141F

# Class 150 B.B NRS Gate Valve ASTM B62



### BILL OF MATERIALS

NO.	PART NAME	MATERIALS	Q'TY
1	BODY	ASMT B62	1
2	DISC	ASMT B62	1
3	BONNET NUT	ASTM B16	1SET
4	BONNET GASKET	NON-ASBESTOS	1
5	BONNET BOLT	ASTM B16	1SET
6	BONNET	ASMT B62	1
7	STUFFING BOX GASKET	NON-ASBESTOS	1
8	STUFFING BOX	ASMT B62	1
9	STEM	ASTM B124	1
10	PACKING	TFE	1SET
11	HINGE PIN	ASTM B16	2
12	PLATE LOCKING SCREW	STEEL	2
13	GLAND NUT	ASTM B16	2
14	GLAND BOLT	ASTM B16	2
15	INDICATOR PLATE	BRASS	1
16	HAND WHEEL	ASTM A216 GR WCB	1
17	WASHER	BRASS	1
18	HANDWHEEL NUT	ASTM B16	1
19	STUFFING BOX NUT	ASTM B16	1SET
20	STUFFING BOX STUD	ASTM B16	1SET
21	INDICATOR	ASMT B62	1
22	PACKING GLAND	ASMT B62	1

UNIT:INCH

SIZE	d	C	D	L	t	W	H	n-øh
2.00	2.00	4.75	6.00	7.00	0.50	7.00	10.19	4-0.75
2.50	2.50	5.50	7.00	7.50	0.56	7.00	11.18	4-0.75
3.00	3.00	6.00	7.50	8.00	0.63	7.87	13.18	4-0.75
3.50	3.50	7.00	8.50	8.50	0.69	8.82	13.50	8-0.75
4.00	4.00	7.50	9.00	9.00	0.69	8.82	15.62	8-0.75
5.00	5.00	8.50	10.00	10.00	0.75	11.00	16.50	8-0.87
6.00	6.00	9.50	11.00	10.50	0.82	11.00	20.50	8-0.87
8.00	8.00	11.75	13.50	11.50	0.94	12.39	22.32	8-0.87
10.00	10.00	14.25	16.00	13.00	1.00	14.00	29.28	12-1.00
12.00	12.00	17.00	19.00	14.00	1.06	15.75	33.25	12-1.00



△					APPLICABLE STANDARDS	INSPECTION & TEST: API 598	TITLE	CAST BRONZE NRS CLASS 150 B,B GATE VALVE		
△					MSS-SP-6 MSS-SP-25	SHELL HYDRO 350 PSIG	SCALE	Fig #	DRAWING NO.	REV.
△	07/14/03	CORRECTED H DIM 10"			MSS-SP-9 MSS-SP-82	SEAT HYDRO 225 PSIG	NONE	141F	20BRO60156	0
NO.	DATE	DESCRIPTION	PRP'D	REV'D	APP'D	DESIGNED	ANSI B16.24	BACK SEAT	HYDRO 225 PSIG	