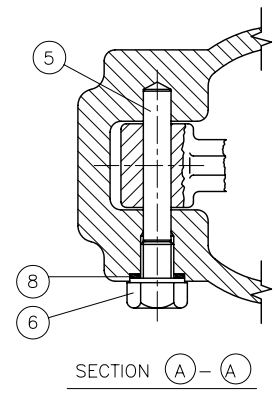
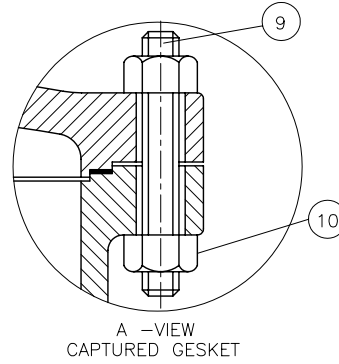
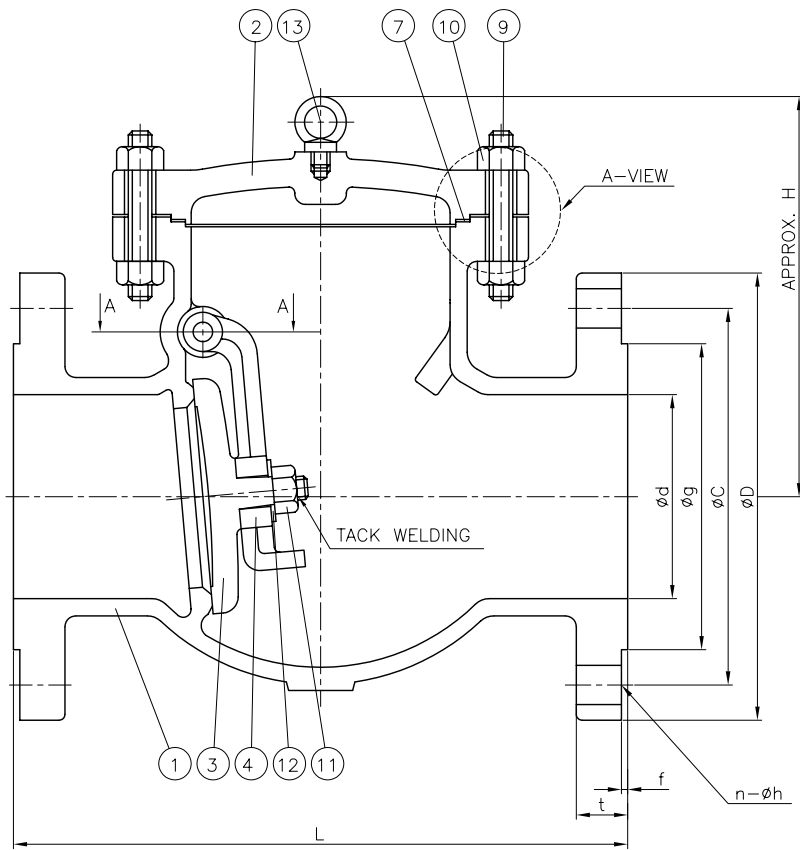


Wm. E. Williams No. S301F6-316

Class 300 R.F. Swing Check Valve ASTM A351 CF8M



NO.	PART NAME	MATERIAL	Q'TY	REMARK
1	BODY	A351-CF8M	1	
2	COVER	A351-CF8M	1	
3	DISC	A351-CF8M	1	NOTE 4
4	ARM	A351-CF8M	1	
5	PIN	A276-316	1	
6	PLUG BOLT	A276-316	1	
7	GASKET	SEE NOTE 5.	1	
8	PLUG GASKET	SEE NOTE 5.	1	
9	COVER BOLT/STUD	A193-B8	1SET	
10	NUT	A194-8	1SET	
11	DISC NUT	A194-8M	1	
12	WASHER	A240-316	1	
13	EYE BOLT	A276-304	1	6" & LARGER

NOTE:

1. WALL THICKNESS : ANSI B16.34 CLASS 300
2. FACE TO FACE DIMENSIONS : ANSI B16.10 CLASS 300
3. END FLANGE DIMENSIONS : ANSI B16.5 CLASS 300
4. SIZE 1" AND SMALLER A276-316
5. GRAPHITE OR PTFE:(SPECIFY WHEN ORDERED)

UNIT:INCH

SIZE	L	d	D	C	g	t	f	n-h	H
0.500	6.00	0.500	3.750	2.625	1.375	0.599	0.062	4-0.625	3.661
0.750	7.00	0.750	4.625	3.250	1.689	0.625	0.062	2-0.750	3.780
1.000	8.50	1.000	4.882	3.500	2.000	0.689	0.062	4-0.750	4.409
1.500	9.50	1.500	6.125	4.500	2.882	0.812	0.062	4-0.875	4.961
2.000	10.5	2.000	6.500	5.000	3.618	0.882	0.062	8-0.750	5.984
2.500	11.5	2.500	7.500	5.875	4.125	1.000	0.062	8-0.875	6.452
3.000	12.5	3.000	8.250	6.618	5.000	1.125	0.062	8-0.875	6.929
4.000	14.0	4.000	10.00	7.875	6.189	1.250	0.062	8-0.875	7.323
5.000	15.7	5.000	11.00	9.250	7.312	1.375	0.062	8-0.875	9.173
6.000	17.5	6.000	12.50	10.62	8.500	1.440	0.062	12-0.875	10.32
8.000	21.0	8.000	15.00	13.00	10.61	1.625	0.062	12-1.00	12.25
10.00	24.5	10.00	17.50	15.25	15.25	1.875	0.062	16-1.12	14.00
12.00	28.0	12.00	20.00	17.75	15.00	2.000	0.062	16-1.25	15.47



TITLE : CAST STAINLESS STEEL SWING CHECK VALVE

		STYLE: BC.FLANGED	CLASS: 300
		Fig# S301F6-316	SIZE: 1/2"-12"
06/01	CAPTURED GASKET	MAT'L: CF8M	SCALE: NON SHEET: 1
DATE	REVISION RECORD	DATE	DR. Liang
		CHK.	APP'D
			DWG# 11SC060171