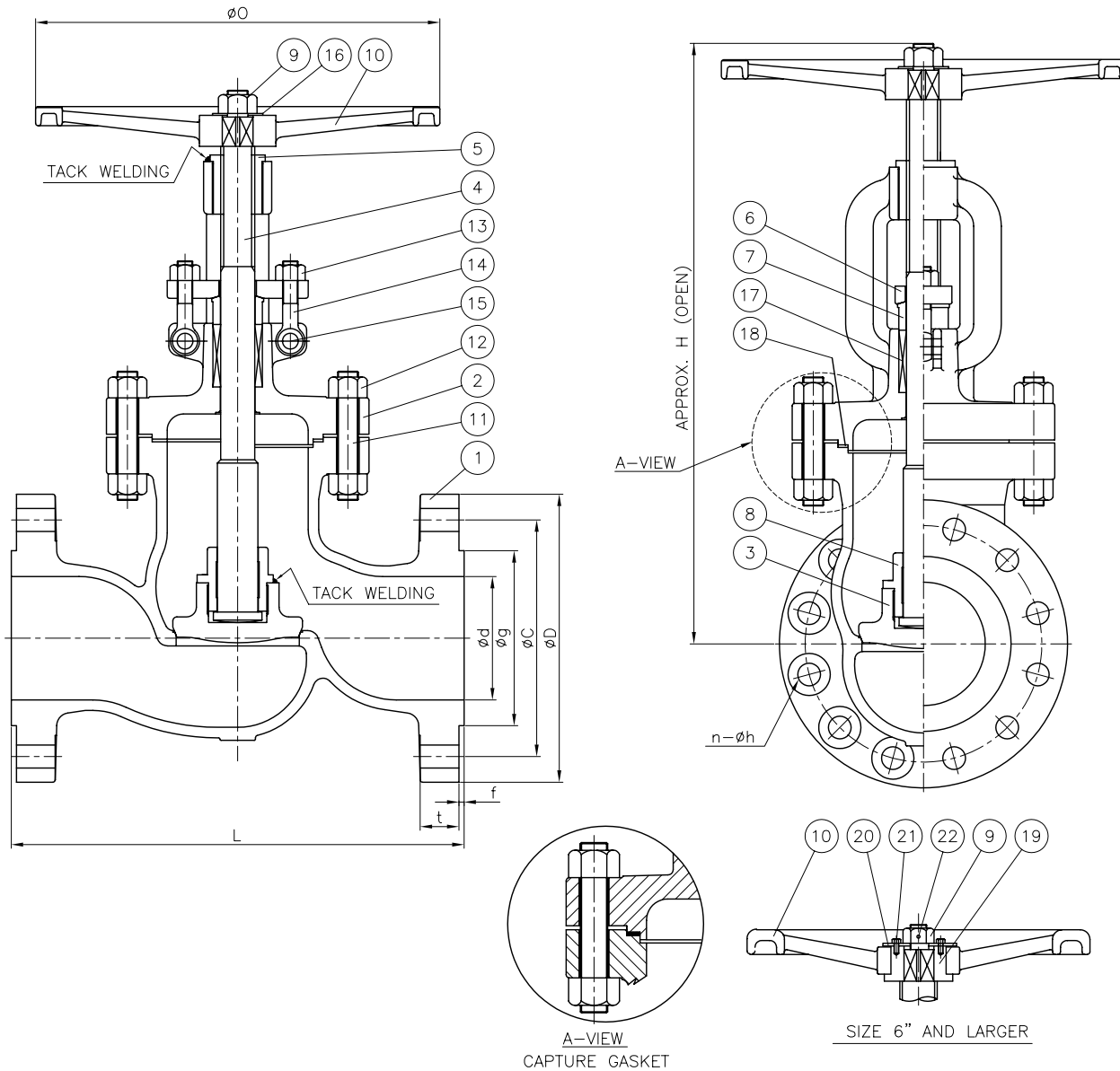


William E. Williams S602F6-316 Class 600 R.F Globe Valve ASTM A351 CF8M



NO.	PART NAME	MATERIAL	Q'TY	REMARK
1	BODY	A351-CF8M	1	
2	BONNET	A351-CF8M	1	
3	DISC	A351-CF8M	1	
4	STEM	A276-316	1	
5	YOKE BUSH	A439-D Ø	1	
6	GLAND FLANGE	A351-CF8	1	
7	PACKING GLAND	A276-316	1	
8	DISC NUT	A351-CF8M	1	
9	HANDWHEEL NUT	A193-B8	1	
10	HANDWHEEL	A536	1	
11	BONNET STUD	A193-B8	1SET	
12	NUT	A194-8	1SET	
13	HINGED EYE BOLT	A276-304	2	
14	NUT	A194-8	2	
15	HINGE PIN	A276-304	2	
16	WASHER	A240-316	1	
17	PACKING	SEE NOTE 4.	1SET	
18	GASKET	SPIRAL WOUND	1	P#2600-Z00
19	IMPACTOR BOSS	A536	1	
20	HANDWHEEL COVER	A283-D	1	
21	BOLT	A307-B	1SET	
22	SPLIT PIN	A276-304	1	

NOTE:

1. WALL THICKNESS : ANSI B16.34 CLASS 600
2. FACE TO FACE DIMENSIONS : ANSI B16.10 CLASS 600
3. END FLANGE DIMENSIONS : ANSI B16.5 CLASS 600
4. GRAPHITE OR PTFE:(SPECIFY WHEN ORDERED)

UNIT: INCH

SIZE	L	d	D	C	g	t	f	n-h	O	H
2.0	11.5	2.000	6.500	5.000	3.625	1.000	0.25	8-0.750	7.875	15.500
2.5	13.0	2.500	7.500	5.885	4.125	1.125	0.25	8-0.885	9.845	17.725
3.0	14.0	3.000	8.250	6.625	5.000	1.250	0.25	8-0.885	11.82	20.500
4.0	17.0	4.000	10.75	8.500	6.185	1.500	0.25	8-1.000	15.75	23.975
5.0	20.0	5.000	13.00	10.50	7.325	1.750	0.25	8-1.125	17.72	26.775
6.0	22.0	6.000	14.00	11.50	8.500	1.885	0.25	12-1.12	17.72	29.500
8.0	26.0	7.875	16.50	13.75	10.62	2.185	0.25	12-1.25	21.65	32.000

WILLIAM E. **WILLIAMS**
 VALVE CORPORATION
 38-52 REVIEW AVE L.I.C N.Y 1110 1

TITLE : CAST STAINLESS STEEL GLOBE VALVE

STYLE: B.B CLASS: 600

Fig# S602F6-316 SIZE: 2"-8"

06/01	CAPTURED GASKET	MAT'L: CF8M	SCALE: NON	SHEET: 1
DATE	REVISION RECORD	DATE	DR. Liang	CHK. APP'D DWG# 11GL060175