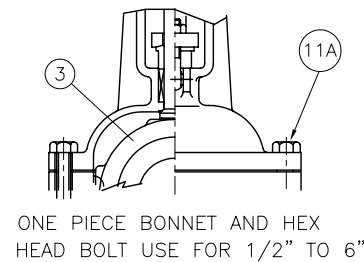
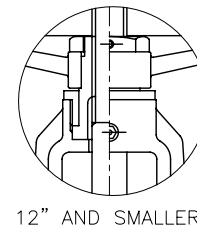
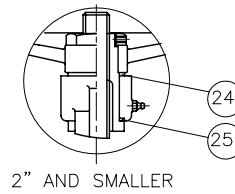
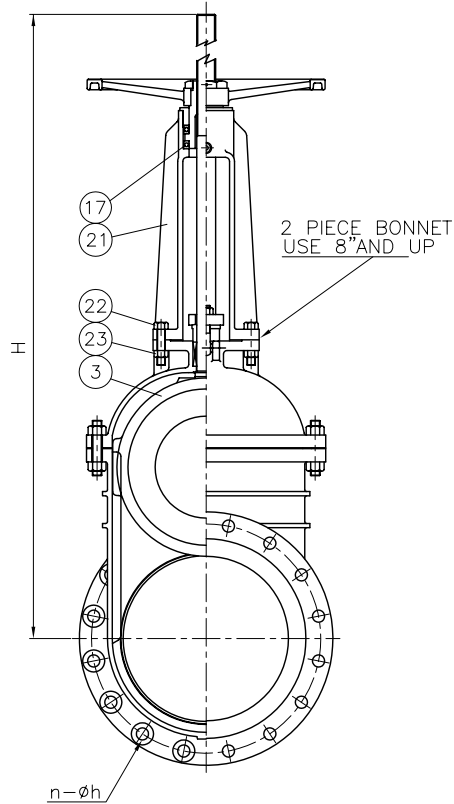
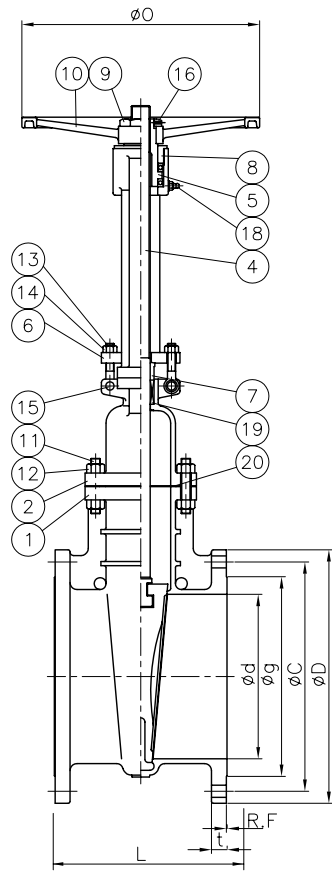


# Wm. E. Williams No. S15F6-316-02 Class 150 OS&Y Gate Valve ASTM A351 CF8M



NO.	PART NAME	MATERIAL	Q'TY	REMARK
1	BODY	A351-CF8M	1	
2	BONNET	A351-CF8M	1	
3	WEDGE	A351-CF8M	1	
4	STEM	A276-316	1	
5	YOKE SLEEVE	A439-D 2	1	
6	GLAND FLANGE	A351-CF8	1	
7	PACKING GLAND	A276-316	1	
8	YOKE CAP	A351-CF8	1	
9	HANDWHEEL NUT	A276-304	1	
10	HANDWHEEL	A536	1	
11	BONNET BOLT	A193-B8	1SET	
11A	HEX HEAD BOLT	A139-B8	1SET	
12	NUT	A194-8	1SET	
13	HINGED EYE BOLT	A276-304	2	
14	NUT	A194-8	2	
15	HINGE PIN	A276-304	2	
16	SET SCREW	A276-304	1	
17	THRUST BALL BEARING	STEEL	2SET	NOTE 6
18	GREASE NIPPLE	STEEL	1	Cr. PLATED
19	PACKING	NOTE 5	1SET	
20	GASKET	NOTE 5	1	
21	YOKE	A351-CF8	1	
22	YOKE BOLT	A193-B8	4	
23	NUT	A194-8	4	
24	THRUST WASHER	A204-304	1	
25	WASHER	A204-304	1	

**NOTE:**

- SHELL WALL THICKNESS: API 603; ANSI B16.34 CLASS 150
- FACE TO FACE DIMENSIONS : ANSI B16.10 CLASS 150
- END FLANGE DIMENSIONS : ANSI B16.5 CLASS 150
- GRAPHITE OR PTFE: SPECIFY WHEN ORDER
- WEDGE DESIGN: 1/2"-1 1/2"-SOLID, 2.0" AND LARGER-FLIXIBLE.

UNIT: INCH

SIZE	L	d	D	c	g	t	R.F	n-øh	O	H
1/2	4.25	0.50	3.50	2.37	1.37	0.44	0.060	4-0.63	4.00	7.50
3/4	4.63	0.75	3.87	2.75	1.68	0.44	0.060	4-0.63	4.00	8.00
1.00	5.00	1.00	4.25	3.12	2.00	0.44	0.060	4-0.63	4.75	9.00
1 1/2	6.50	1.50	5.00	3.87	2.87	0.57	0.060	4-0.63	5.50	11.8
2.00	7.00	2.00	6.00	4.75	3.62	0.63	0.060	4-0.75	6.25	13.1
2 1/2	7.50	2.50	7.00	5.50	4.13	0.687	0.060	4-0.750	7.00	14.37
3.00	8.00	3.00	7.50	6.00	5.00	0.750	0.060	4-0.750	7.87	16.14
4.00	9.00	4.00	9.00	7.50	6.18	0.937	0.060	8-0.750	10.00	19.60
6.00	10.50	6.00	11.00	9.50	8.50	1.000	0.060	8-0.875	11.75	26.87
8.00	11.50	8.00	13.50	11.75	10.62	1.125	0.060	8-0.875	13.75	32.25
10.00	13.00	10.00	16.00	14.25	12.75	1.125	0.060	12-1.00	15.75	39.35
12.00	14.00	12.00	19.00	17.00	15.00	1.187	0.060	12-1.00	17.75	47.30
14.00	15.00	13.25	21.00	18.75	16.25	1.375	0.060	12-1.125	19.68	53.35
16.00	16.00	15.25	23.50	21.25	18.50	1.437	0.060	16-1.125	20.00	60.62
18.00	17.00	17.25	25.00	22.75	21.00	1.567	0.060	16-1.125	20.00	75.20
20.00	18.00	19.25	27.50	25.00	23.00	1.687	0.060	20-1.250	24.75	84.37
24.00	20.00	23.25	32.00	29.50	27.25	1.875	0.060	20-1.375	24.75	97.32

WILLIAM E.  
  
**WILLIAMS**  
 VALVE CORPORATION  
 38-52 REVIEW AVE L.I.C N.Y 1110 1

TITLE : STAINLESS STEEL GATE VALVE			
STYLE: B.B. OS&Y		CLASS: 150	
Fig# S15F6-316		SIZE: 1/2" - 24"	
MAT'L: CF8M		SCALE: NONE	SHEET: 1
DATE	REVISION RECORD	DATE DR.	CHK. APP'D DWG# 11GA060166